

SKP-LP Series Low Pressure Constant Air Volume Damper/Regulator

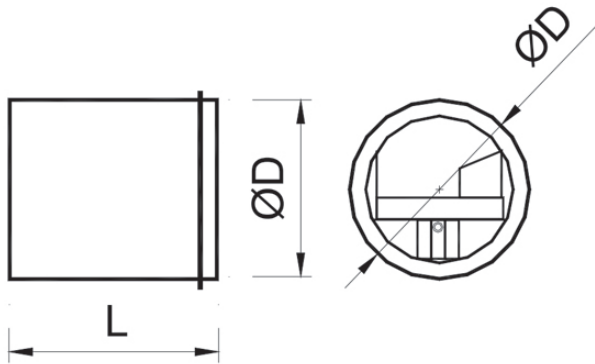
Material | Plastic (Rated UL 2043)

Pressure | 0.08 - 0.4 in.w.g. (20 - 100 Pa)

Adjustment | manually pre-set, self-adjustable



SKP-LP



Select Model				
✓	Model	D	L	cfm
	SKP-LP 03 18	2 63/64"	2 11/64"	6 - 18
	SKP-LP 04 18	3 25/32"	2 3/4"	6 - 18
	SKP-LP 04 35	3 25/32"	2 3/4"	18 - 35
	SKP-LP 05 18	4 23/32"	3 25/64"	6 - 18
	SKP-LP 05 35	4 23/32"	3 25/64"	18 - 35
	SKP-LP 05 71	4 23/32"	3 25/64"	35 - 71

Project:
Engineer:
Architect:
Contractor: