

SKP-HP Series

High Pressure Constant Air Volume Damper/Regulator

Material | Plastic (Rated UL 2043)

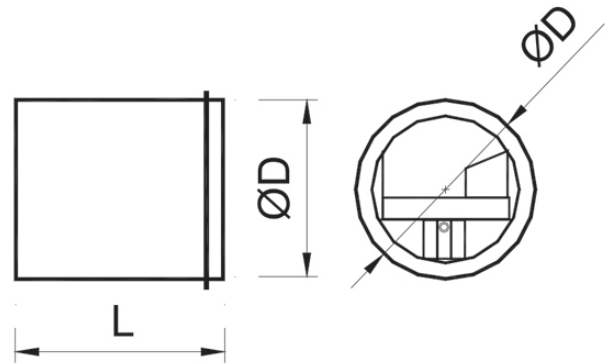
Pressure | 0.6 - 2.4 in.w.g. (150 - 600 Pa)

Adjustment | manually pre-set, self-adjustable



SKP-HP

Select Model				
✓	Model	D	L	cfm
	SKP-HP 03 53	2 63/64"	2 11/64"	9 - 29
	SKP-HP 04 53	3 25/32"	2 3/4"	9 - 29
	SKP-HP 04 100	3 25/32"	2 3/4"	29 - 59
	SKP-HP 05 53	4 23/32"	3 25/64"	9 - 29
	SKP-HP 05 100	4 23/32"	3 25/64"	29 - 59
	SKP-HP 05 176	4 23/32"	3 25/64"	59 - 106
	SKP-HP 06 53	5 53/64"	3 37/64"	29 - 59
	SKP-HP 06 100	5 53/64"	3 37/64"	59 - 106
	SKP-HP 06 176	5 53/64"	3 37/64"	106- 176
	SKP-HP 06 294	5 53/64"	3 37/64"	59 - 106
	SKP-HP 08 100	7 43/64"	3 37/64"	106- 176
	SKP-HP 08 176	7 43/64"	3 37/64"	176 - 294
	SKP-HP 08 294	7 43/64"	3 37/64"	59 - 106
	SKP-HP 08 500	7 43/64"	3 37/64"	106- 176
	SKP-HP 10 176	9 41/64"	4 23/32"	176 - 294
	SKP-HP 10 294	9 41/64"	4 23/32"	265-470
	SKP-HP 10 500	9 41/64"	4 23/32"	176 - 294
	SKP-HP 10 765	9 41/64"	4 23/32"	265-470



Project:
Engineer:
Architect:
Contractor: