

### RXO-C Series Round Stamped Steel Swirl Diffuser

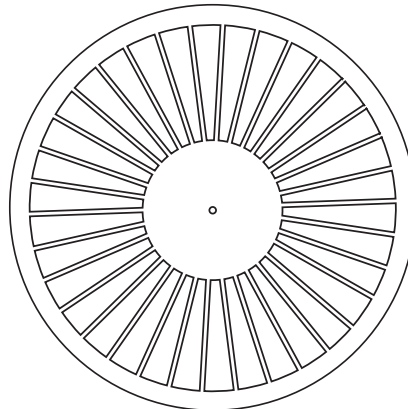
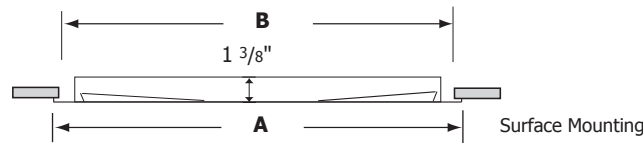
**Material** | Powder coated stamped heavy gauge steel, galvanized steel plenum

**Air Pattern** | Fix swirl pattern

**Ceiling Types** | Surface or Visible Duct



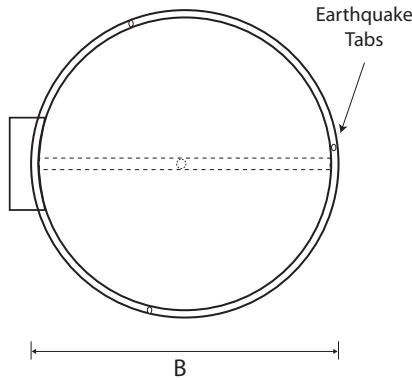
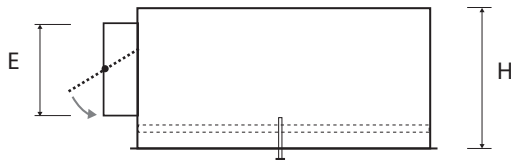
**RXO-C**



Select Model			
✓	Model	A	B
	RXO-C 16	15 3/4"	14 9/16"
	RXO-C 20	19 31/64"	18 1/2"
	RXO-C 25	24 13/32"	22 23/64"
Select Finish			
	Powder Coated White RAL 9016		
	Other RAL:		

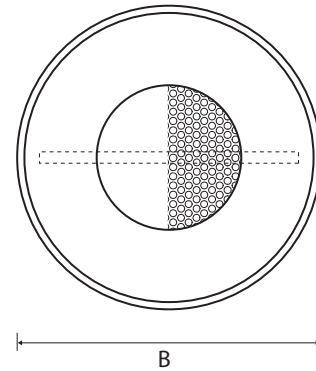
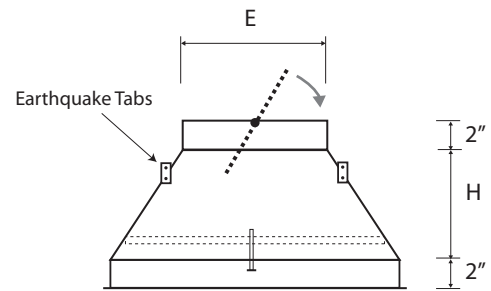
**Matching PERFAIR plenum ordered separately**

### Plenum



#### PERFAIR-CS

Cylindrical with side duct connection, ideal for closed ceilings.



#### PERFAIR-CT

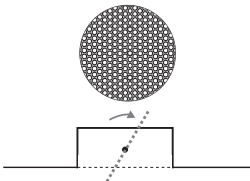
Conical with top duct connection, ideal for open ceilings with visible duct.

Select Model - Imperial					
✓	Model	Duct Size	B	E	H
	<b>PERFAIR-CS 1205</b>	5	11 3/8	4 7/8	9
	<b>PERFAIR-CS 1206</b>	6	11 3/8	5 7/8	9
	<b>PERFAIR-CS 1208</b>	8	11 3/8	7 7/8	9
	<b>PERFAIR-CS 1606</b>	6	15 1/4	5 7/8	10
	<b>PERFAIR-CS 1608</b>	8	15 1/4	7 7/8	10
	<b>PERFAIR-CS 2006</b>	6	19	5 7/8	12
	<b>PERFAIR-CS 2008</b>	8	19	7 7/8	12
	<b>PERFAIR-CS 2010</b>	10	19	9 7/8	12
	<b>PERFAIR-CS 2506</b>	6	24	5 7/8	13
	<b>PERFAIR-CS 2508</b>	8	24	7 7/8	13
	<b>PERFAIR-CS 2510</b>	10	24	9 7/8	13
	<b>PERFAIR-CS 2512</b>	12	24	11 7/8	13
	<b>PERFAIR-CS 3312</b>	12	33	11 7/8	16

Select Model - Imperial					
✓	Model	Duct Size	B	E	H
	<b>PERFAIR-CT 1205</b>	5	11 3/8	4 7/8	6
	<b>PERFAIR-CT 1206</b>	6	11 3/8	5 7/8	6
	<b>PERFAIR-CT 1208</b>	8	11 3/8	7 7/8	6
	<b>PERFAIR-CT 1606</b>	6	15 1/4	5 7/8	6
	<b>PERFAIR-CT 1608</b>	8	15 1/4	7 7/8	6
	<b>PERFAIR-CT 2006</b>	6	19	5 7/8	8
	<b>PERFAIR-CT 2008</b>	8	19	7 7/8	8
	<b>PERFAIR-CT 2010</b>	10	19	9 7/8	8
	<b>PERFAIR-CT 2506</b>	6	24	5 7/8	8
	<b>PERFAIR-CT 2508</b>	8	24	7 7/8	8
	<b>PERFAIR-CT 2510</b>	10	24	9 7/8	8
	<b>PERFAIR-CT 2512</b>	12	24	11 7/8	8
	<b>PERFAIR-CT 3312</b>	12	33	11 7/8	12

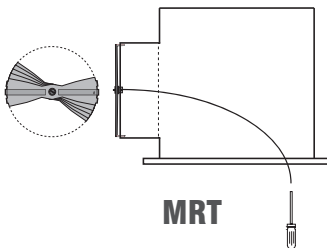
All dimensions in inches

### Air Volume Dampers



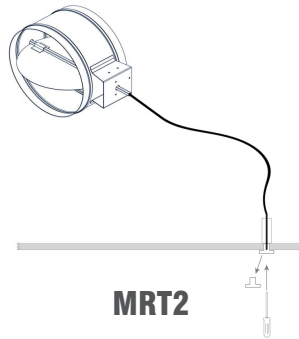
**R**

Perforated damper +  
air equalizer



**MRT**

Manually operated damper,  
cable inside the plenum,  
adjustment through face



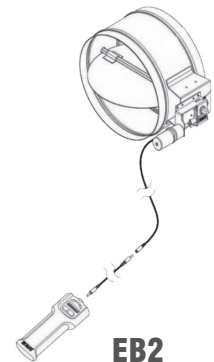
**MRT2**

Manually operated damper,  
cable through drywall with  
termination fixture



**EB**

Battery operated  
electro-balance damper  
with remote control,  
cable through face



**EB2**

Battery operated  
electro-balance damper  
with remote control,  
cable through drywall  
with termination fixture

Insulation	
<b>AL</b>	1/2" Interior Accoustical Liner
<b>AL1</b>	1" Interior Accoustical Liner
<b>R6</b>	2" Exterior R6 Thermal Insulation

Neck-Installed Air Volume Damper	
<b>R</b>	Perforated air volume damper/equalizer
<b>MRT</b>	Manually operated, cable thru face
<b>MRT2</b>	Manually operated, termination fixture
<b>EB</b>	Electro-balanced, battery powered, cable thru face
<b>EB2</b>	Electro-balanced, battery powered, termination fixture

Cable Length (MRT2 or EB2)	

<b>Project:</b>	
<b>Engineer:</b>	
<b>Architect:</b>	
<b>Contractor:</b>	