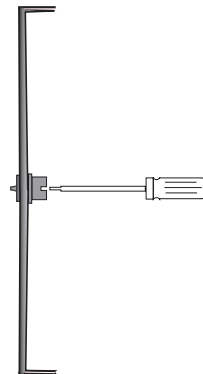
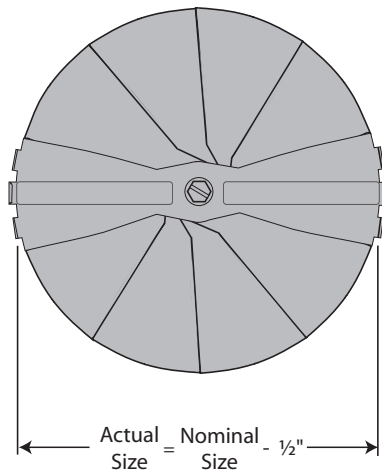


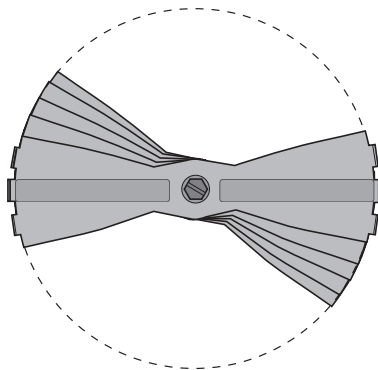
## RSBD Series Radial Sliding Blade Dampers

**Material** | heavy gauge galvanized steel.

**Matching Products** | DCG 6" and 12", TWIST 6", 8", 10" and 12".



Vertical operator accepts standard screwdriver for slotted or hex head thru diffuser face.



Select Model	
✓ Model	L
RSBD 06	6"
RSBD 08	8"
RSBD 10	10"
RSBD 12	12"

<b>Project:</b>
<b>Engineer:</b>
<b>Architect:</b>
<b>Contractor:</b>