

PLAY-R Series Adjustable Sectors Rectangular Diffusers

PATENTED

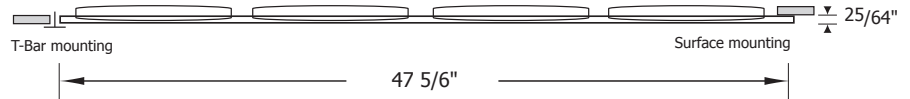


PLAY-R
by MADEL®

Material | Powder coated stamped heavy gauge steel, galvanized steel plenum.

Air Pattern | 100% horizontally adjustable.

Ceiling Types | False, Open and Closed.



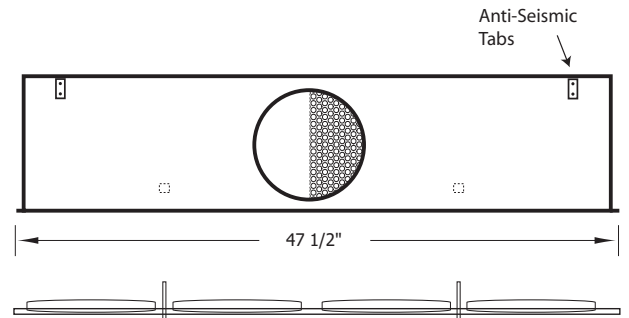
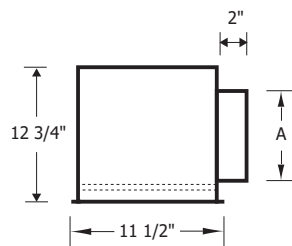
Select Model			
✓	Imperial	✓	Metric
	PLAY-R 48 12		PLAY-R 1215 300

Select Finish	
	Powder Coated White RAL 9016
	Other RAL:

Plenum

PERFAIR-RS

Side duct connection.



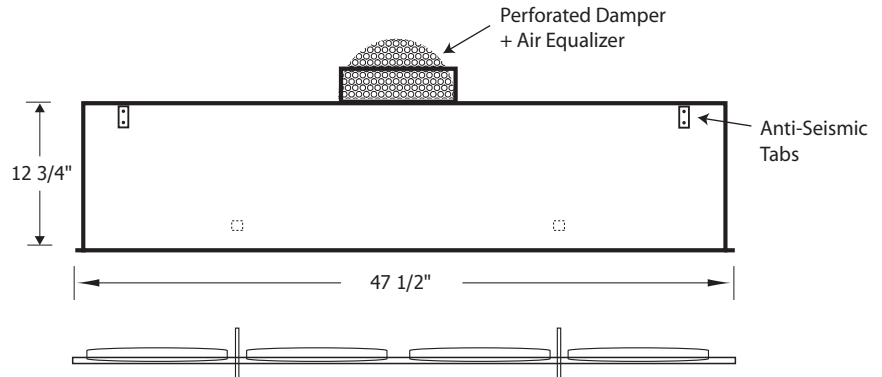
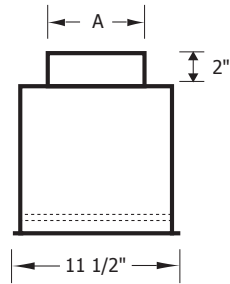
Select Model			
✓	Model	Duct Size	A
	PERFAIR-RS 4812 06	6	5 7/8
	PERFAIR-RS 4812 08	8	7 7/8
	PERFAIR-RS 4812 10	10	9 7/8
	PERFAIR-RS 4812 12	12	11 7/8

All dimensions in inches

Plenum (continued)

PERFAIR-RT

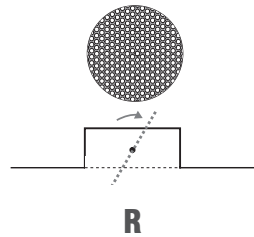
Top duct connection.



Select Model			
✓	Model	Duct Size	A
	PERFAIR-RT 4812 06	6	5 7/8
	PERFAIR-RT 4812 08	8	7 7/8
	PERFAIR-RT 4812 10	10	9 7/8

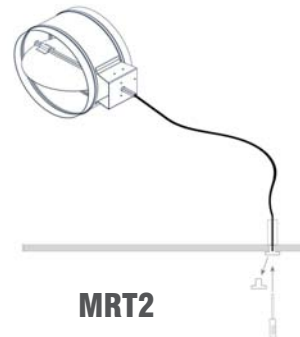
All dimensions in inches

Air Volume Damper



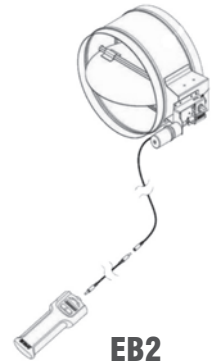
R

Perforated damper + air equalizer



MRT2

Manually operated damper, cable through drywall with termination fixture



EB2

Battery operated electro-balance damper with remote control, cable through drywall with termination fixture

Insulation	
AL	1/2" Interior Accoustical Liner
AL1	1" Interior Accoustical Liner
R6	2" Exterior R6 Thermal Insulation

Neck-Installed Air Volume Damper	
R	Perforated air volume damper/equalizer
MRT2	Manually operated
EB2	Electro-balanced, battery powered

Cable Length (MRT2 or EB2)	

Project:
Engineer:
Architect:
Contractor: