

PLAY-C Series Adjustable Sectors Round Diffusers

Material | Powder coated stamped heavy gauge steel, gvanized steel plenum.

Air Pattern | 100% horizontally adjustable.

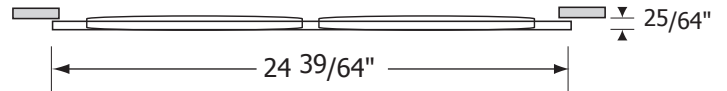
Ceiling Types | Open and Closed.



PLAY-C
by MADEL®

PATENTED

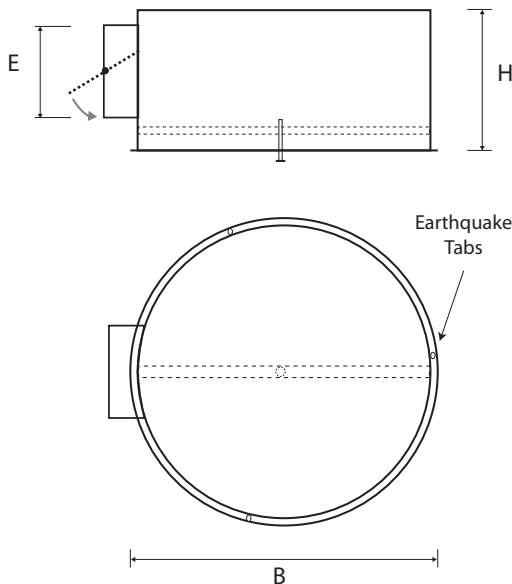
Select Model			
✓	Imperial	✓	Metric
	PLAY-C 25		PLAY-C 625
Select Finish			
	Powder Coated White RAL 9016		
	Other RAL:		



Plenum

PERFAIR-CS

Cylindrical with side duct connection, ideal for closed ceilings.



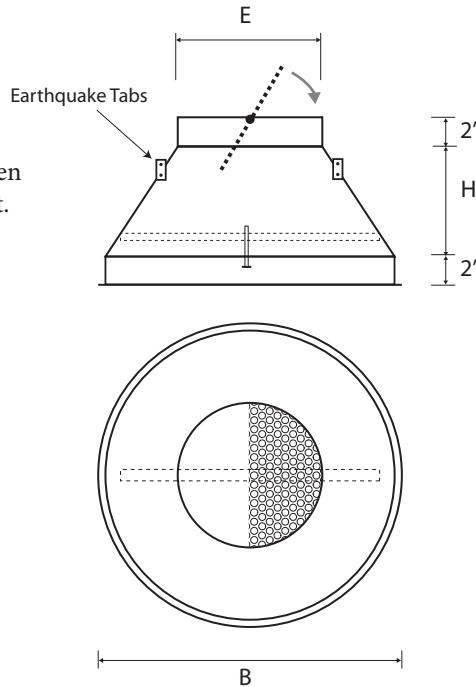
Select Model - Imperial					
✓	Model	Duct Size	B	E	H
	PERFAIR-CS 1205	5	11 3/8	4 7/8	9
	PERFAIR-CS 1206	6	11 3/8	5 7/8	9
	PERFAIR-CS 1208	8	11 3/8	7 7/8	9
	PERFAIR-CS 1606	6	15 1/4	5 7/8	10
	PERFAIR-CS 1608	8	15 1/4	7 7/8	10
	PERFAIR-CS 2006	6	19	5 7/8	12
	PERFAIR-CS 2008	8	19	7 7/8	12
	PERFAIR-CS 2010	10	19	9 7/8	12
	PERFAIR-CS 2506	6	24	5 7/8	13
	PERFAIR-CS 2508	8	24	7 7/8	13
	PERFAIR-CS 2510	10	24	9 7/8	13
	PERFAIR-CS 2512	12	24	11 7/8	13
	PERFAIR-CS 3312	12	33	11 7/8	16

All dimensions in inches

Plenum (continued)

PERFAIR-CT

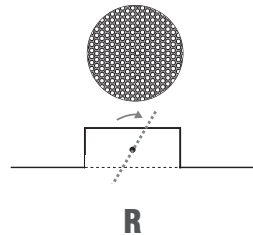
Conical with top duct connection, ideal for open ceilings with visible duct.



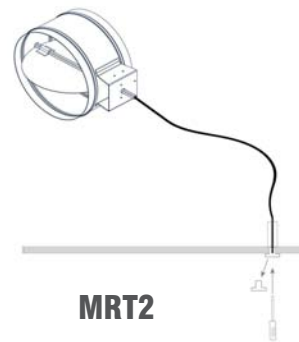
Select Model - Imperial					
✓	Model	Duct Size	B	E	H
	PERFAIR-CT 1205	5	11 3/8	4 7/8	6
	PERFAIR-CT 1206	6	11 3/8	5 7/8	6
	PERFAIR-CT 1208	8	11 3/8	7 7/8	6
	PERFAIR-CT 1606	6	15 1/4	5 7/8	6
	PERFAIR-CT 1608	8	15 1/4	7 7/8	6
	PERFAIR-CT 2006	6	19	5 7/8	8
	PERFAIR-CT 2008	8	19	7 7/8	8
	PERFAIR-CT 2010	10	19	9 7/8	8
	PERFAIR-CT 2506	6	24	5 7/8	8
	PERFAIR-CT 2508	8	24	7 7/8	8
	PERFAIR-CT 2510	10	24	9 7/8	8
	PERFAIR-CT 2512	12	24	11 7/8	8
	PERFAIR-CT 3312	12	33	11 7/8	12

All dimensions in inches

Air Volume Damper

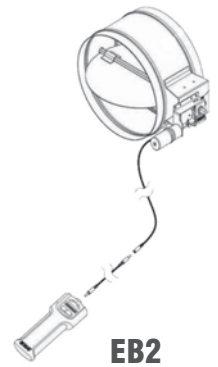


R
Perforated damper + air equalizer



MRT2

Manually operated damper, cable through drywall with termination fixture



EB2

Battery operated electro-balance damper with remote control, cable through drywall with termination fixture

Insulation	
AL	1/2" Interior Accoustical Liner
AL1	1" Interior Accoustical Liner
R6	2" Exterior R6 Thermal Insulation

Neck-Installed Air Volume Damper	
R	Perforated air volume damper/equalizer
MRT2	Manually operated
EB2	Electro-balanced, battery powered

Cable Length (MRT2 or EB2)	

Project:

Engineer:

Architect:

Contractor: