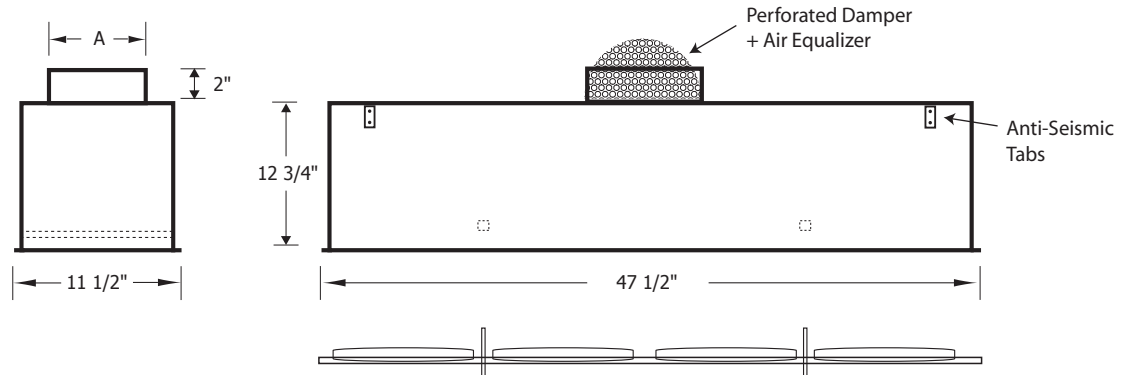


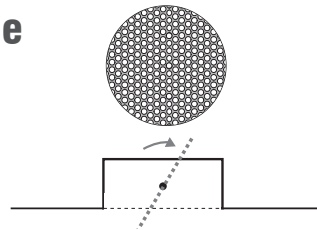
PERFAIR-RT Series High Performance Plenum for Rectangular Diffusers, Top Connection

Material | heavy gauge galvanized steel

Matching Faces | PLAY-R



Integrated Air Volume Dampers



Standard

Perforated damper + air equalizer

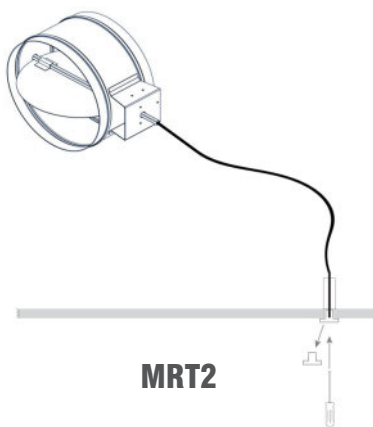
Select Model			
✓	Model	Duct Size	A
	PERFAIR-RT 4812 06	6	5 7/8
	PERFAIR-RT 4812 08	8	7 7/8
	PERFAIR-RT 4812 10	10	9 7/8

All dimensions in inches

Insulation	
AL	1/2" Interior Acoustical Liner
AL1	1" Interior Acoustical Liner
ALC	1/2" Closed Cell Acoustical Insulation
R6	2" Exterior R6 Thermal Insulation

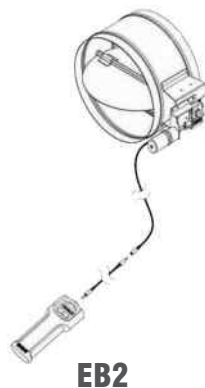
Neck-Installed Air Volume Damper	
R	Perforated air volume damper/equalizer
MRT2	Manually operated, termination fixture
EB2	Electro-balanced, battery powered

Cable Length (MRT2 or EB2)	



MRT2

Manually operated damper, cable outside the plenum and thru drywall with termination fixture



EB2

Battery operated electro-balance damper with remote control, cable through drywall with termination fixture

Project:
Engineer:
Architect:
Contractor: