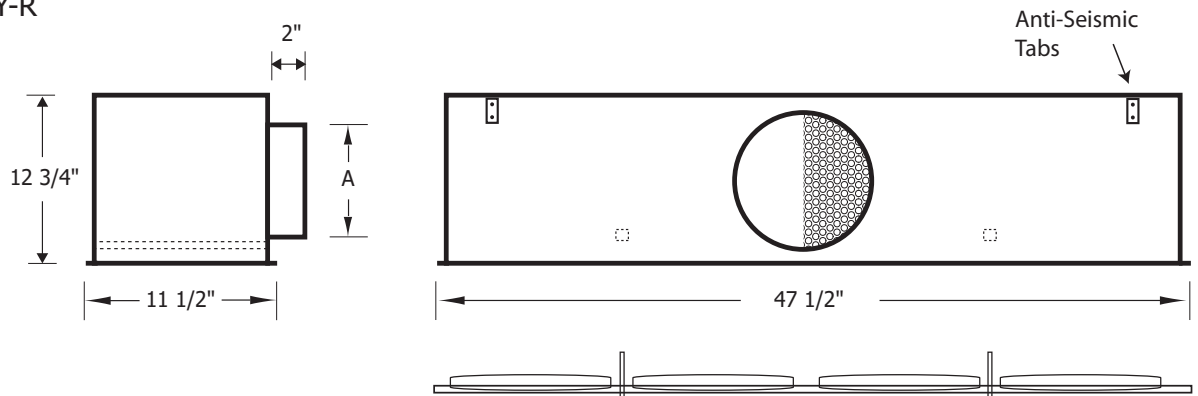


PERFAIR-RS Series

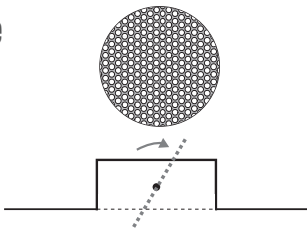
High Performance Plenum for Rectangular Diffusers, Side Connection

Material | heavy gauge galvanized steel

Matching Faces | PLAY-R

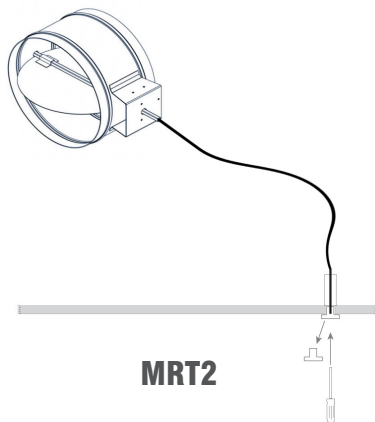


Integrated Air Volume Dampers



Standard

Perforated damper + air equalizer



MRT2

Manually operated damper, cable outside the plenum and thru drywall with termination fixture



EB2

Battery operated electro-balance damper with remote control, cable through drywall with termination fixture

Select Model			
✓	Model	Duct Size	A
	PERFAIR-RS 4812 06	6	5 7/8
	PERFAIR-RS 4812 08	8	7 7/8
	PERFAIR-RS 4812 10	10	9 7/8
	PERFAIR-RS 4812 12	12	11 7/8

All dimensions in inches

Insulation		
AL	1/2" Interior Accoustical Liner	
AL1	1" Interior Accoustical Liner	
R6	2" Exterior R6 Thermal Insulation	

Neck-Installed Air Volume Damper		
R	Perforated air volume damper/equalizer	
MRT2	Manually operated, termination fixture	
EB2	Electro-balanced, battery powered	

Cable Length (MRT2 or EB2)		

Project:
Engineer:
Architect:
Contractor: