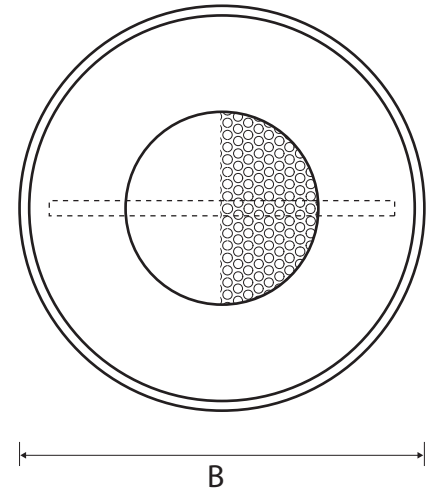
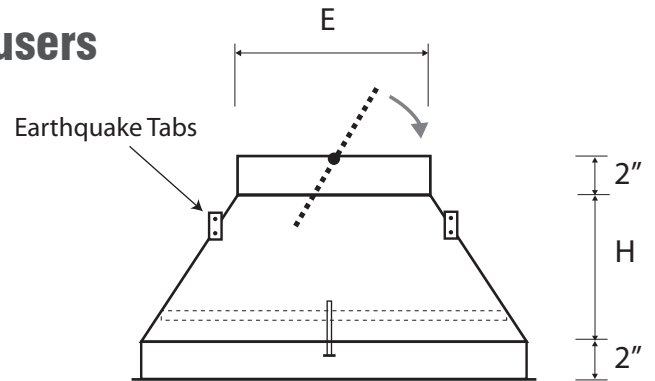


PERFAIR-CT Series High Performance Plenum for Round Diffusers Conical, Top Connection

Material | heavy gauge galvanized steel.

Matching Faces | AXO-C, AXO-CY, NEX-C,
OTO-C, PLAY-C, RXO-C



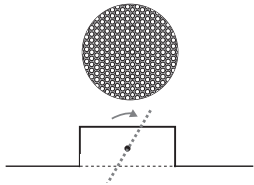
Select Model - Imperial					
✓	Model	Duct Size	B	E	H
	PERFAIR-CT 1205	5	11 3/8	4 7/8	6
	PERFAIR-CT 1206	6	11 3/8	5 7/8	6
	PERFAIR-CT 1208	8	11 3/8	7 7/8	6
	PERFAIR-CT 1606	6	15 1/4	5 7/8	6
	PERFAIR-CT 1608	8	15 1/4	7 7/8	6
	PERFAIR-CT 2006	6	19	5 7/8	8
	PERFAIR-CT 2008	8	19	7 7/8	8
	PERFAIR-CT 2010	10	19	9 7/8	8
	PERFAIR-CT 2506	6	24	5 7/8	8
	PERFAIR-CT 2508	8	24	7 7/8	8
	PERFAIR-CT 2510	10	24	9 7/8	8
	PERFAIR-CT 2512	12	24	11 7/8	8
	PERFAIR-CT 3312	12	33	11 7/8	12

All dimensions in inches

Select Model - Metric					
✓	Model	Duct Size	B	E	H
	PERFAIR-CT 300 125	125	295	123	152
	PERFAIR-CT 300 150	150	295	148	152
	PERFAIR-CT 300 200	200	295	198	152
	PERFAIR-CT 400 150	150	395	148	152
	PERFAIR-CT 400 200	200	395	198	152
	PERFAIR-CT 500 150	150	495	148	203
	PERFAIR-CT 500 200	200	495	198	203
	PERFAIR-CT 500 250	250	495	248	203
	PERFAIR-CT 625 150	150	620	148	203
	PERFAIR-CT 625 200	200	620	198	203
	PERFAIR-CT 625 250	250	620	248	203
	PERFAIR-CT 625 300	300	620	298	203
	PERFAIR-CT 825 300	300	820	298	305

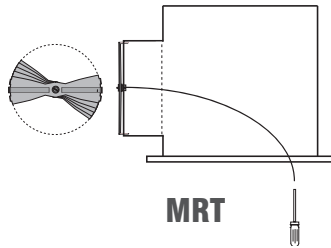
All dimensions in mm

Integrated Air Volume Dampers



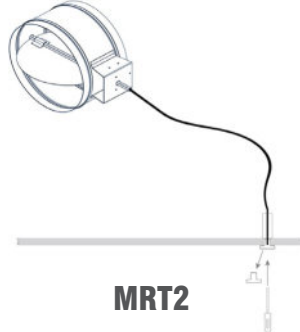
R

Perforated damper +
air equalizer



MRT

Manually operated damper,
cable inside the plenum,
adjustment through face



MRT2

Manually operated damper,
cable through drywall with
termination fixture



EB

Battery operated
electro-balance damper
with remote control,
cable through face



EB2

Battery operated
electro-balance damper
with remote control,
cable through drywall
with termination fixture

Insulation	
R6	2" Exterior R6 Thermal Insulation
Neck-Installed Air Volume Damper	
R	Perforated air volume damper/equalizer
MRT	Manually operated, cable thru face
MRT2	Manually operated, termination fixture
EB	Electro-balanced, battery powered, cable thru face
EB2	Electro-balanced, battery powered, termination fixture
Cable Length (MRT2 or EB2)	

Project:

Engineer:

Architect:

Contractor: