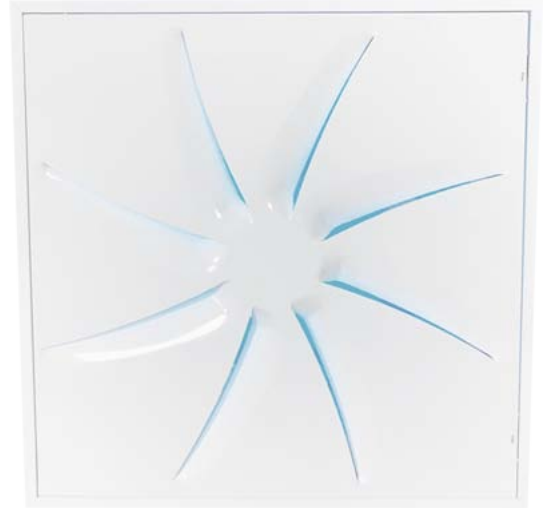


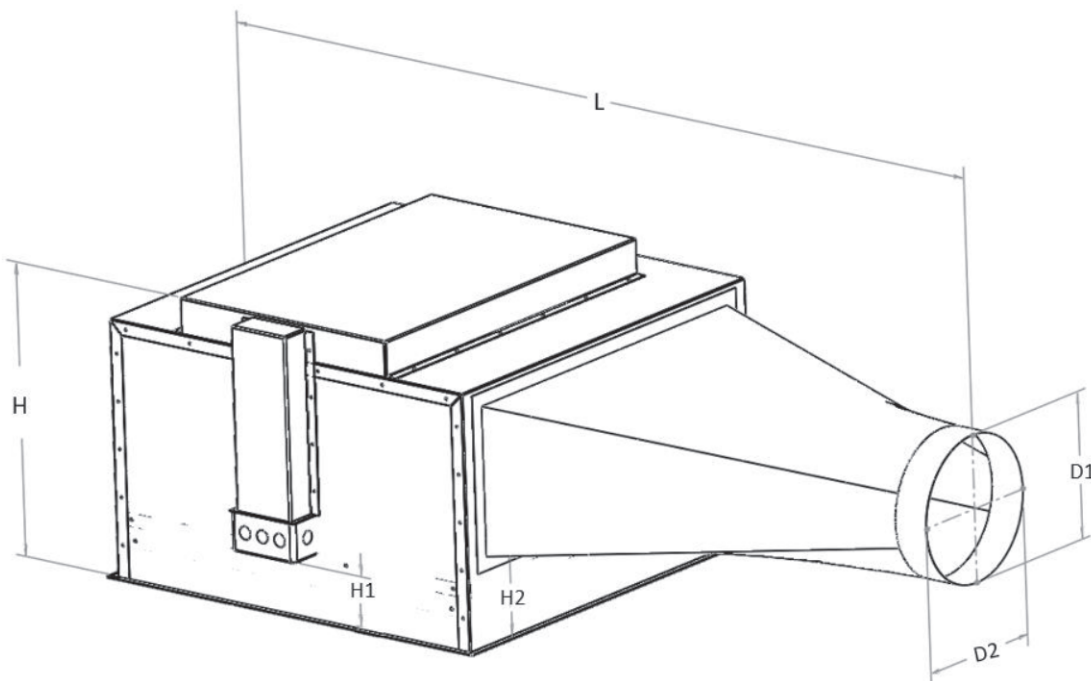
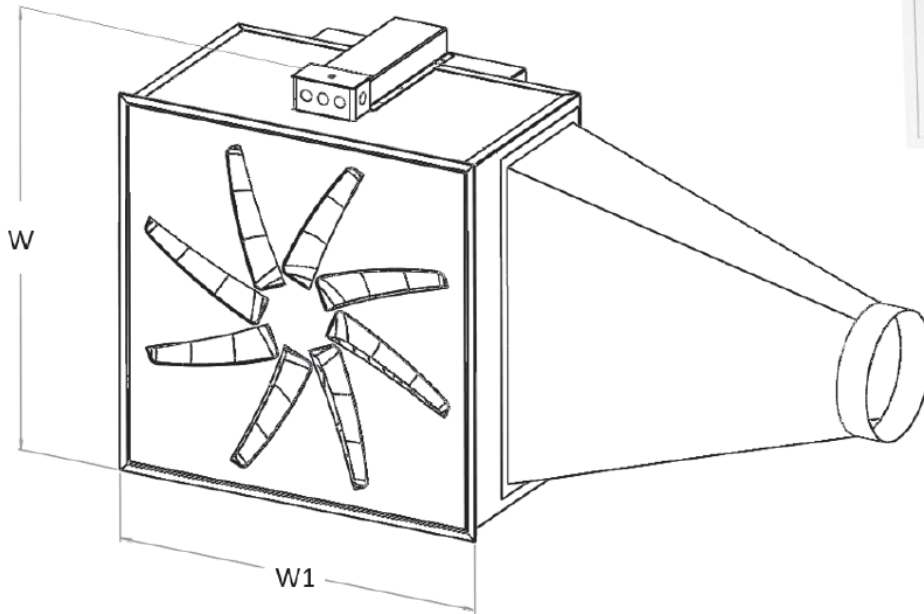
OTO-UV Series Architectural Swirl UV Diffuser

Material | Powder coated stamped heavy gauge steel face, aluminum plenum, UVC lamp and 2" UV-resistant pleated filter

Air Pattern | Fix high induction swirl pattern



OTO-UV



Dimensions	
W	25 2/3"
W1	23 7/8"
H	15 7/8"
H1	3 9/16"
H2	4 3/4"
L	47 1/2"

Select Model		
Model	D1	D2
OTO-UV 2406	5 7/8"	5 7/8"
OTO-UV 2407	6 7/8"	6 7/8"
OTO-UV 2408	7 7/8"	7 7/8"
OTO-UV 2410	11"	8"
OTO-UV 2412	16"	8"

Filter	
UVFILTER-W-M9	2" MERV-9 UV Resistant White Pleated Filter
UVFILTER-C-M7	2" MERV-7 UV Resistant Carbon Pleated Filter

Select Finish	
	Powder Coated White RAL9016
	Other RAL :

Project:
Engineer:
Architect:
Contractor: