

OTO-C Series Curved Slots Architectural Round Swirl Diffuser

Material | Powder coated stamped heavy gauge steel,
galvanized steel plenum.

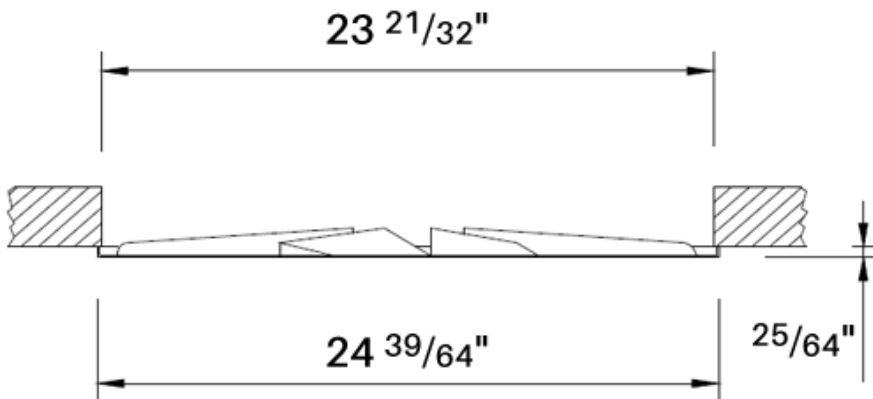
Air Pattern | Fixed horizontal swirl.

Ceiling Types | Open and Closed.



OTO-C
by MADEL®

PATENTED

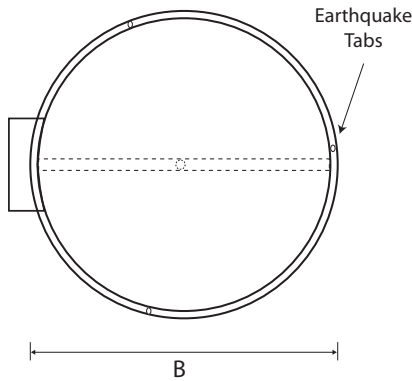
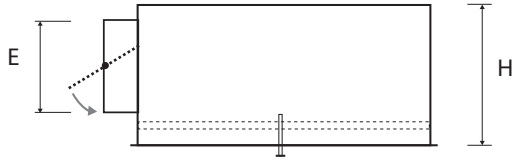


Select Model			
<input checked="" type="checkbox"/>	Imperial	<input checked="" type="checkbox"/>	Metric
	OTO-C 25		OTO-C 625

Select Finish	
	Powder Coated White RAL 9016
	Other RAL:

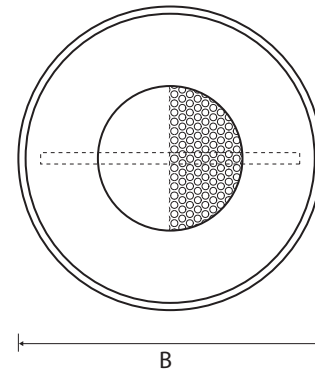
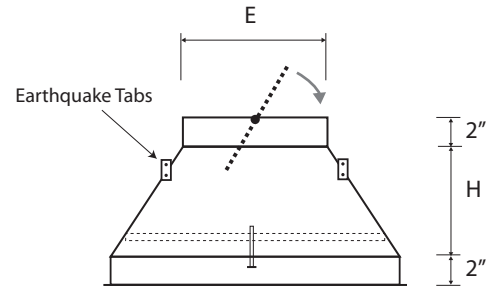
Matching PERFAIR plenum ordered separately.

Plenum



PERFAIR-CS

Cylindrical with side duct connection, ideal for closed ceilings.



PERFAIR-CT

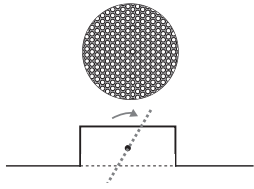
Conical with top duct connection, ideal for open ceilings with visible duct.

Select Model - Imperial					
✓	Model	Duct Size	B	E	H
	PERFAIR-CS 1205	5	11 3/8	4 7/8	9
	PERFAIR-CS 1206	6	11 3/8	5 7/8	9
	PERFAIR-CS 1208	8	11 3/8	7 7/8	9
	PERFAIR-CS 1606	6	15 1/4	5 7/8	10
	PERFAIR-CS 1608	8	15 1/4	7 7/8	10
	PERFAIR-CS 2006	6	19	5 7/8	12
	PERFAIR-CS 2008	8	19	7 7/8	12
	PERFAIR-CS 2010	10	19	9 7/8	12
	PERFAIR-CS 2506	6	24	5 7/8	13
	PERFAIR-CS 2508	8	24	7 7/8	13
	PERFAIR-CS 2510	10	24	9 7/8	13
	PERFAIR-CS 2512	12	24	11 7/8	13
	PERFAIR-CS 3312	12	33	11 7/8	16

Select Model - Imperial					
✓	Model	Duct Size	B	E	H
	PERFAIR-CT 1205	5	11 3/8	4 7/8	6
	PERFAIR-CT 1206	6	11 3/8	5 7/8	6
	PERFAIR-CT 1208	8	11 3/8	7 7/8	6
	PERFAIR-CT 1606	6	15 1/4	5 7/8	6
	PERFAIR-CT 1608	8	15 1/4	7 7/8	6
	PERFAIR-CT 2006	6	19	5 7/8	8
	PERFAIR-CT 2008	8	19	7 7/8	8
	PERFAIR-CT 2010	10	19	9 7/8	8
	PERFAIR-CT 2506	6	24	5 7/8	8
	PERFAIR-CT 2508	8	24	7 7/8	8
	PERFAIR-CT 2510	10	24	9 7/8	8
	PERFAIR-CT 2512	12	24	11 7/8	8
	PERFAIR-CT 3312	12	33	11 7/8	12

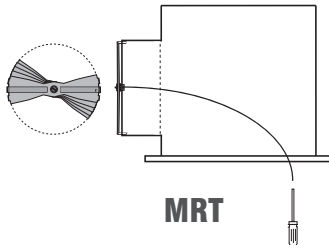
All dimensions in inches

Air Volume Dampers



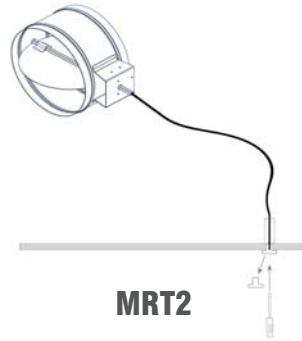
R

Perforated damper +
air equalizer



MRT

Manually operated damper,
cable inside the plenum,
adjustment through face



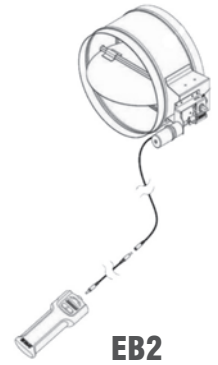
MRT2

Manually operated damper,
cable through drywall with
termination fixture



EB

Battery operated
electro-balance damper
with remote control,
cable through face



EB2

Battery operated
electro-balance damper
with remote control,
cable through drywall
with termination fixture

Insulation	
AL	1/2" Interior Accoustical Liner
AL1	1" Interior Accoustical Liner
R6	2" Exterior R6 Thermal Insulation
Neck-Installed Air Volume Damper	
R	Perforated air volume damper/equalizer
MRT	Manually operated, cable thru face
MRT2	Manually operated, termination fixture
EB	Electro-balanced, battery powered, cable thru face
EB2	Electro-balanced, battery powered, termination fixture
Cable Length (MRT2 or EB2)	

<p>Project:</p> <p>Engineer:</p> <p>Architect:</p> <p>Contractor:</p>
