



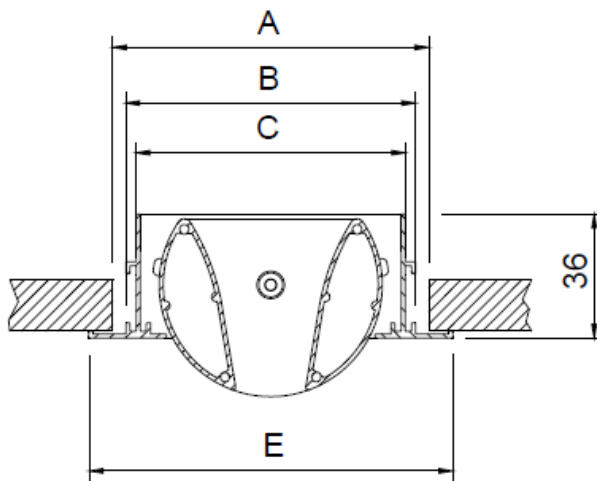
### KOBE Series Adjustable Long Throw Linear Jet Diffusers

**Material** | Aluminum

**Air Pattern** | Long throw, adjustable directional jet

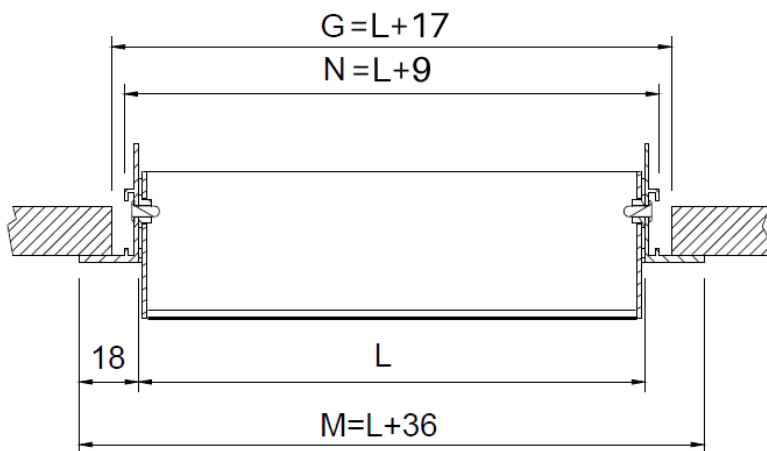


**KOBE**  
by MADEL®

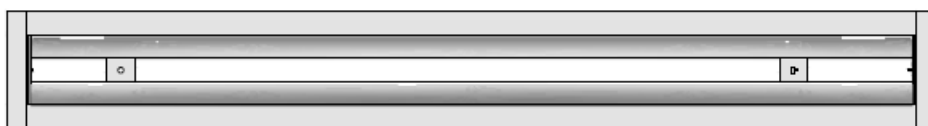


Dimension					
✓	Nozzle Width	A	B	C	E
	15	93.5	84.5	78.5	106
	20	93.5	84.5	78.5	106
	25	93.5	84.5	78.5	106
	30	93.5	84.5	78.5	106
	40	107.5	98.5	92.5	120
	50	118.5	109.5	103.5	131

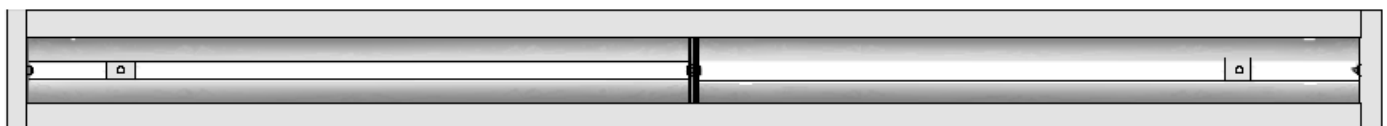
All dimensions in mm



**Single Nozle**  
300 ≤ L ≤ 1000

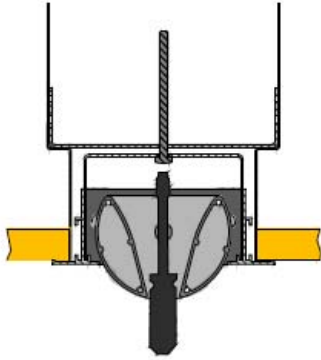


**Split Nozle**  
1100 ≤ L ≤ 2000



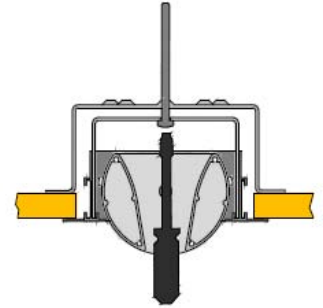
### PL Mounting

PLKB-PL Plenum  
Mounting Clips



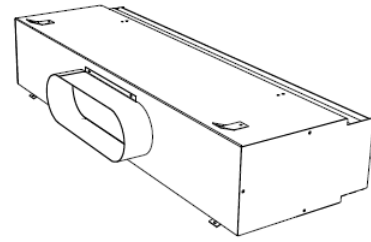
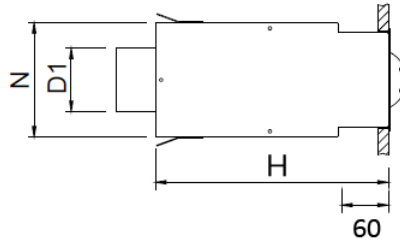
### PM Mounting

Mounting Clips for PLKB-PM  
Plenum or no plenum

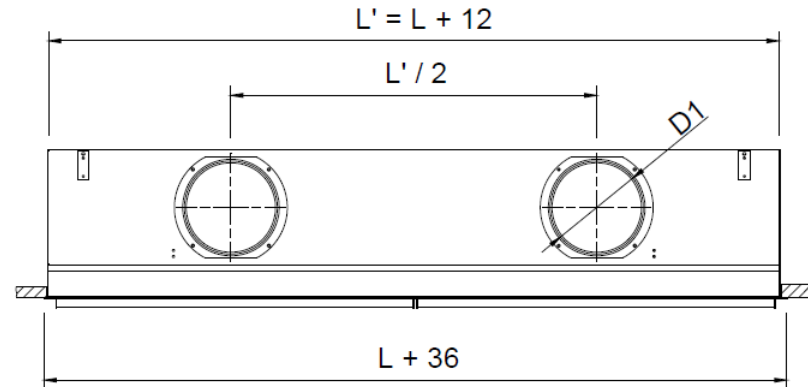


### PLKB-PL Plenum

PLKB-T-PL



PLKB-S-PL



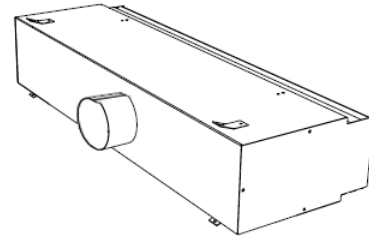
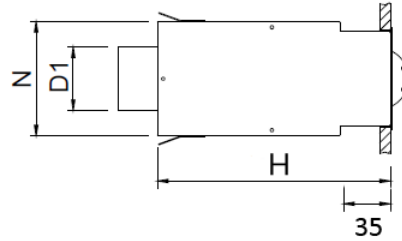
PLKB-PL	L ≤ 600			600 < L ≤ 1000			1000 < L ≤ 1500			1500 < L ≤ 2000		
	D1	H	N	D1	H	N	D1	H	N	D1	H	N
<b>KOBE 15</b>	158	244	111	158	244	111	2x 158	244	111	2x 158	244	111
<b>KOBE 20</b>	158	244	111	158	244	111	2x 158	244	111	2x 198	284	111
<b>KOBE 25</b>	158	244	111	198	284	111	2x 198	284	111	2x 198	284	111
<b>KOBE 30</b>	198	284	111	198	284	111	2x 198	284	111	2x 198	284	111
<b>KOBE 40</b>	198	284	125	198	284	125	2x 198	284	125	2x 248	334	125
<b>KOBE 50</b>	198	284	135	198	284	135	2x 248	334	135	2x 248	334	135

All dimensions in mm

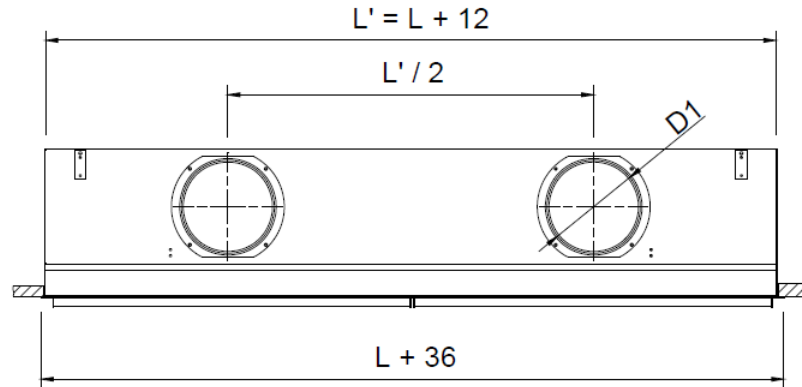


### PLKB-PM Plenum

PLKB-T-PM



PLKB-S-PM



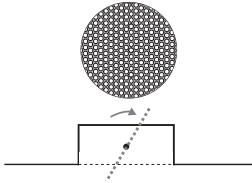
PLKB-S-PM	N	L ≤ 600		600 < L ≤ 1000		1000 < L ≤ 1200		1200 < L ≤ 1500		1500 < L ≤ 2000	
		D1	H	D1	H	D1	H	D1	H	D1	H
<b>KOBE 15</b>	127	150	219	150	219	150	219	(2x) 150	219	(2x) 150	219
<b>KOBE 20</b>	127	150	219	150	219	200	259	(2x) 150	259	(2x) 200	259
<b>KOBE 25</b>	127	150	219	200	259	200	259	(2x) 200	259	(2x) 200	259
<b>KOBE 30</b>	127	200	259	200	259	200	259	(2x) 200	259	(2x) 200	259
<b>KOBE 40</b>	146	200	259	200	259	250	309	(2x) 200	309	(2x) 250	309
<b>KOBE 50</b>	152	200	259	200	259	250	309	(2x) 250	309	(2x) 250	309

All dimensions in mm

PLKB-T-PM	H	L ≤ 600		600 < L ≤ 1000		1000 < L ≤ 1200		1200 < L ≤ 1500		1500 < L ≤ 2000	
		D1	N	D1	N	D1	N	D1	N	D1	N
<b>KOBE 15</b>	150	150	175	150	6 7/8	150	175	(2x) 150	175	(2x) 150	175
<b>KOBE 20</b>	150	150	175	150	6 7/8	200	225	(2x) 150	175	(2x) 200	225
<b>KOBE 25</b>	150	150	175	200	8 7/8	200	225	(2x) 200	225	(2x) 200	225
<b>KOBE 30</b>	150	200	225	200	8 7/8	200	225	(2x) 200	225	(2x) 200	225
<b>KOBE 40</b>	175	200	225	200	8 7/8	250	276	(2x) 200	276	(2x) 250	276
<b>KOBE 50</b>	175	200	225	200	8 7/8	250	276	(2x) 250	276	(2x) 250	276

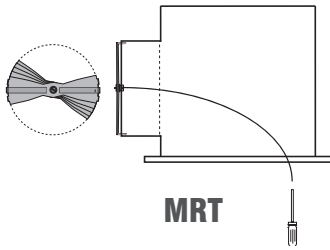
All dimensions in mm

### Integrated Air Volume Dampers



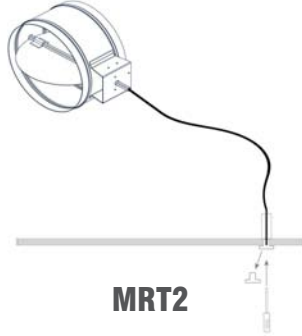
**R**

Perforated damper +  
air equalizer



**MRT**

Manually operated damper,  
cable inside the plenum,  
adjustment through face



**MRT2**

Manually operated damper,  
cable through drywall with  
termination fixture



**EB**

Battery operated  
electro-balance damper  
with remote control,  
cable through face



**EB2**

Battery operated  
electro-balance damper  
with remote control,  
cable through drywall  
with termination fixture

**Important Note:** MRT, MRT2, EB and EB2 Damper Options are only available with PLKB-PM (round connections).

### Accessories

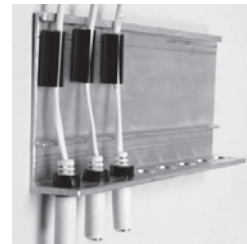
#### EB-SP1

Single Connector  
Drywall Termination  
Fixture for EB  
dampers



#### EB-AB8

Eight Connector  
Wall Bracket for EB  
dampers



#### EB-SP8

Eight Connector  
Drywall Termination  
Fixture for EB  
dampers



#### EB-REMOTE

Remote Control for  
EB dampers



# SUBMITTAL

KOBE (METRIC)

REV 3 - PAGE 5/5



Slot Width (mm)	
	15
	20
	25
	30
	40
	50

Diffuser Length (mm)

Mounting	
<b>PL</b>	Mounting clips for PLKB plenum
<b>PM</b>	Mounting crossbar for installation without plenum

Finish	
<b>M9016</b>	Powder Coated White RAL 9016
<b>R9010</b>	Powder Coated White RAL 9010
<b>R9005M</b>	Powder Coated Matte Jet Black RAL 9005
<b>RAL xxxx</b>	Please Specify:

Plenum	
<b>PLKB-S-PL</b>	Side connection, PL mounting
<b>PLKB-T-PL</b>	Top (Back) connection, PL mounting
<b>PLKB-S-PM</b>	Side connection, PM mounting
<b>PLKB-T-PM</b>	Top (Back) connection, PM mounting

Insulation	
<b>AL</b>	1/2" Interior Accoustical Liner
<b>ALC</b>	1/2" Interior Closed Cell Accoustical Insulation
<b>R6</b>	2" Exterior R6 Thermal Insulation

Neck-Installed Air Volume Damper		Cable Length (inches)
<b>R</b>	Perforated air volume damper/equalizer	
<b>MRT</b>	Manually operated, cable thru face	
<b>MRT2</b>	Manually operated, termination fixture	
<b>EB</b>	Electro-balanced, battery powered, cable thru face	
<b>EB2</b>	Electro-balanced, battery powered, cable thru drywall	

**Project:**

**Engineer:**

**Architect:**

**Contractor:**