



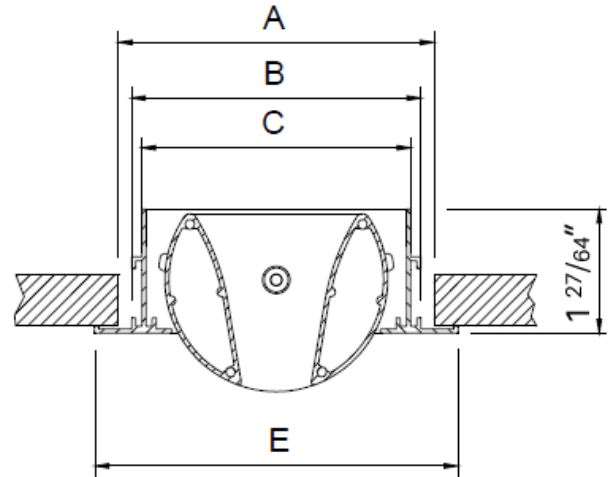
**KOBE**  
by MADEL®

## KOBE Series Adjustable Long Throw Linear Jet Diffusers

**Material** | Aluminum

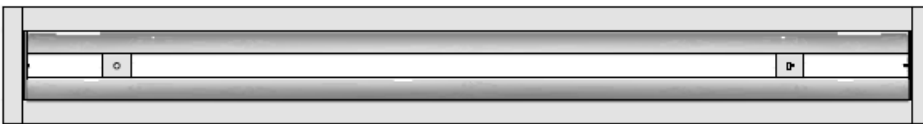
**Air Pattern** | Long throw, adjustable directional jet

Slot Type and Width						
✓	Nominal Width	Nozzle Width	A	B	C	E
	15	0.6"	3 11/16"	3 21/64"	3 3/32"	4 11/64"
	20	0.8"	3 11/16"	3 21/64"	3 3/32"	4 11/64"
	25	1"	3 11/16"	3 21/64"	3 3/32"	4 11/64"
	30	1.2"	3 11/16"	3 21/64"	3 3/32"	4 11/64"
	40	1.6"	4 15/64"	3 7/8"	3 41/64"	4 23/32"
	50	2"	4 43/64"	4 5/16"	4 5/64"	5 5/32"



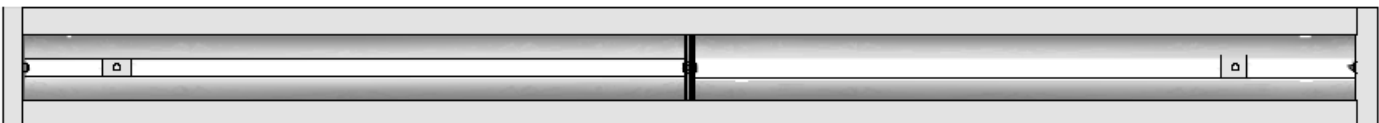
**Single Nozle**

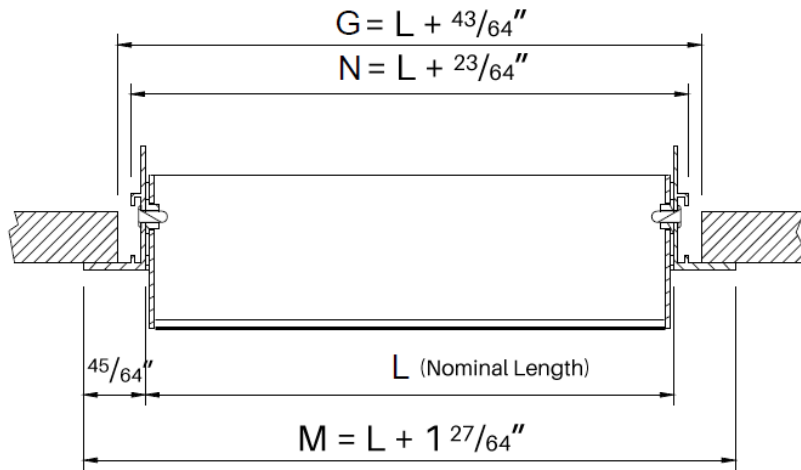
300 ≤ L ≤ 1000



**Split Nozle**

1100 ≤ L ≤ 2000

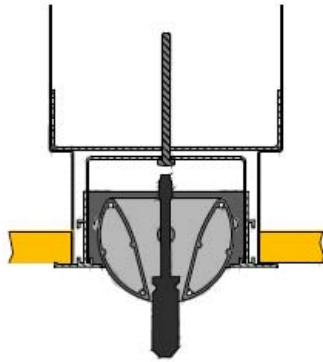




Nominal Lengths					
✓	Nominal Length	L (inches)	G	N	M
	300	11 13/16"	12 31/64"	12 11/64"	13 15/64"
	400	15 3/4"	16 27/64"	16 7/64"	17 11/64"
	500	19 11/16"	20 23/64"	20 3/64"	21 7/64"
	600	23 5/8"	24 19/64"	23 63/64"	25 3/64"
	700	27 9/16"	28 15/64"	27 59/64"	28 63/64"
	800	31 1/2"	32 11/64"	31 55/64"	32 59/64"
	900	35 7/16"	36 7/64"	35 51/64"	36 55/64"
	1000	39 3/8"	40 3/64"	39 47/64"	40 51/64"
	1100	43 5/16"	43 63/64"	43 43/64"	44 47/64"
	1200	47 1/4"	47 59/64"	47 39/64"	48 43/64"
	1300	51 3/16"	51 55/64"	51 35/64"	52 39/64"
	1400	55 1/8"	55 51/64"	55 31/64"	56 35/64"
	1500	59 1/16"	59 47/64"	59 27/64"	60 31/64"
	1600	62 63/64"	63 21/32"	63 11/32"	64 13/32"
	1700	66 59/64"	67 19/32"	67 9/32"	68 11/32"
	1800	70 55/64"	71 17/32"	71 7/32"	72 9/32"
	1900	74 51/64"	75 15/32"	75 5/32"	76 7/32"
	2000	78 47/64"	79 13/32"	79 3/32"	80 5/32"

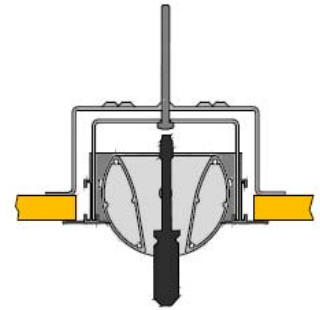
### PL Mounting

PLKB-PL Plenum  
Mounting Clips



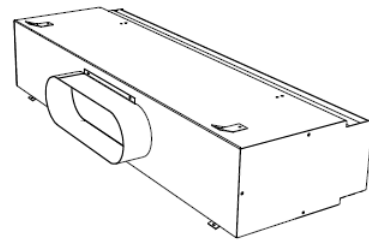
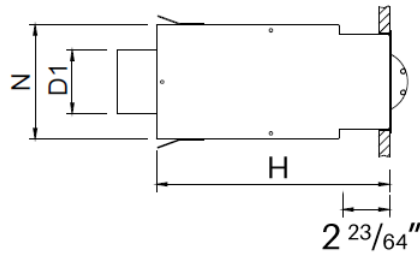
### PM Mounting

Mounting Clips for PLKB-PM  
Plenum or no plenum

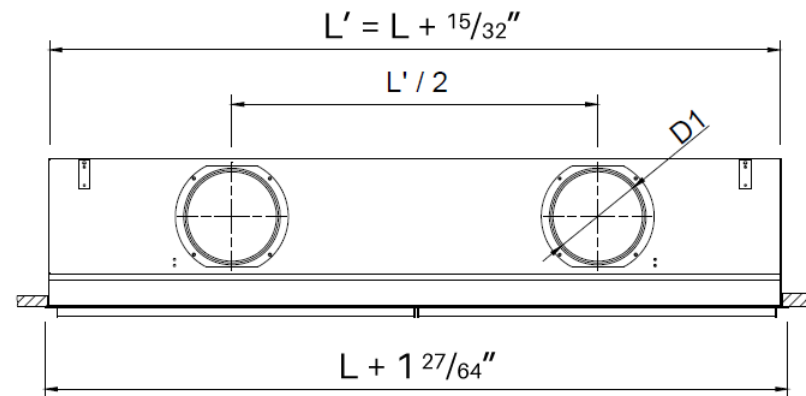


### PLKB-PL Plenum

PLKB-T-PL



PLKB-S-PL

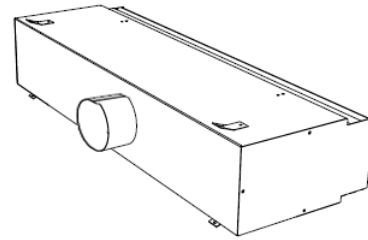
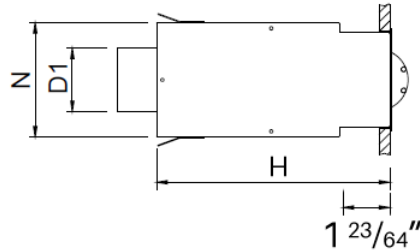


PLKB-PL	N	L <= 600		L <= 1000		L <= 1500		L <= 2000	
		D1	H	D1	H	D1	H	D1	H
<b>KOBE 15</b>	4 3/8	5 7/8	9 39/64	5 7/8	9 39/64	(2x) 5 7/8	9 39/64	(2x) 5 7/8	9 39/64
<b>KOBE 20</b>	4 3/8	5 7/8	9 39/64	5 7/8	9 39/64	(2x) 5 7/8	9 39/64	(2x) 7 7/8	11 3/16
<b>KOBE 25</b>	4 3/8	5 7/8	9 39/64	7 7/8	11 3/16	(2x) 7 7/8	11 3/16	(2x) 7 7/8	11 3/16
<b>KOBE 30</b>	4 3/8	7 7/8	11 3/16	7 7/8	11 3/16	(2x) 7 7/8	11 3/16	(2x) 7 7/8	11 3/16
<b>KOBE 40</b>	4 59/64	7 7/8	11 3/16	7 7/8	11 3/16	(2x) 7 7/8	11 3/16	(2x) 9 7/8	13 5/32
<b>KOBE 50</b>	5 5/16	7 7/8	11 3/16	7 7/8	11 3/16	(2x) 9 7/8	13 5/32	(2x) 9 7/8	13 5/32

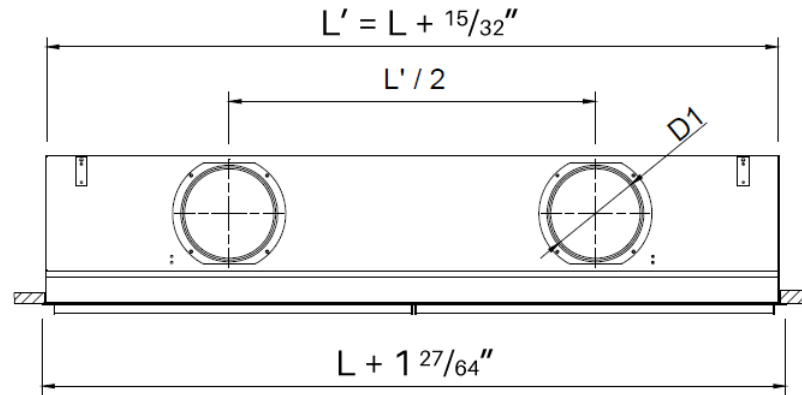
All dimensions in inches

### PLKB-PM Plenum

PLKB-T-PM



PLKB-S-PM



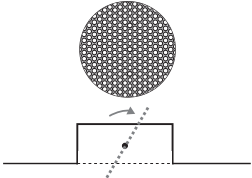
PLKB-S-PM	N	L <= 600		L <= 1000		L <= 1200		L <= 1500		L <= 2000	
		D1	H	D1	H	D1	H	D1	H	D1	H
<b>KOBE 15</b>	5	5 7/8	8 39/64	5 7/8	8 39/64	5 7/8	8 39/64	(2x) 5 7/8	8 39/64	(2x) 5 7/8	8 39/64
<b>KOBE 20</b>	5	5 7/8	8 39/64	5 7/8	8 39/64	7 7/8	10 3/16	(2x) 5 7/8	10 3/16	(2x) 7 7/8	10 3/16
<b>KOBE 25</b>	5	5 7/8	8 39/64	7 7/8	10 3/16	7 7/8	10 3/16	(2x) 7 7/8	10 3/16	(2x) 7 7/8	10 3/16
<b>KOBE 30</b>	5	7 7/8	10 3/16	7 7/8	10 3/16	7 7/8	10 3/16	(2x) 7 7/8	10 3/16	(2x) 7 7/8	10 3/16
<b>KOBE 40</b>	5 3/4	7 7/8	10 3/16	7 7/8	10 3/16	9 7/8	12 5/32	(2x) 7 7/8	12 5/32	(2x) 9 7/8	12 5/32
<b>KOBE 50</b>	6	7 7/8	10 3/16	7 7/8	10 3/16	9 7/8	12 5/32	(2x) 9 7/8	12 5/32	(2x) 9 7/8	12 5/32

All dimensions in inches

PLKB-T-PM	H	L <= 600		L <= 1000		L <= 1200		L <= 1500		L <= 2000	
		D1	N	D1	N	D1	N	D1	N	D1	N
<b>KOBE 15</b>	5 7/8	5 7/8	6 7/8	5 7/8	6 7/8	5 7/8	6 7/8	(2x) 5 7/8	6 7/8	(2x) 5 7/8	6 7/8
<b>KOBE 20</b>	5 7/8	5 7/8	6 7/8	5 7/8	6 7/8	7 7/8	8 7/8	(2x) 5 7/8	6 7/8	(2x) 7 7/8	8 7/8
<b>KOBE 25</b>	5 7/8	5 7/8	6 7/8	7 7/8	8 7/8	7 7/8	8 7/8	(2x) 7 7/8	8 7/8	(2x) 7 7/8	8 7/8
<b>KOBE 30</b>	5 7/8	7 7/8	8 7/8	7 7/8	8 7/8	7 7/8	8 7/8	(2x) 7 7/8	8 7/8	(2x) 7 7/8	8 7/8
<b>KOBE 40</b>	6 7/8	7 7/8	8 7/8	7 7/8	8 7/8	9 7/8	10 7/8	(2x) 7 7/8	10 7/8	(2x) 9 7/8	10 7/8
<b>KOBE 50</b>	6 7/8	7 7/8	8 7/8	7 7/8	8 7/8	9 7/8	10 7/8	(2x) 9 7/8	10 7/8	(2x) 9 7/8	10 7/8

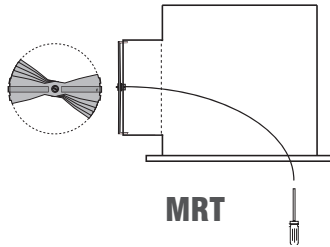
All dimensions in inches

### Integrated Air Volume Dampers



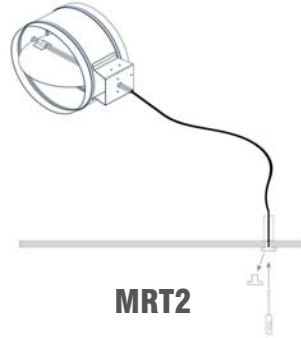
**R**

Perforated damper +  
air equalizer



**MRT**

Manually operated damper,  
cable inside the plenum,  
adjustment through face



**MRT2**

Manually operated damper,  
cable through drywall with  
termination fixture



**EB**

Battery operated  
electro-balance damper  
with remote control,  
cable through face



**EB2**

Battery operated  
electro-balance damper  
with remote control,  
cable through drywall  
with termination fixture

**Important Note:** MRT, MRT2, EB and EB2 Damper Options are only available with PLKB-PM (round connections).

### Accessories

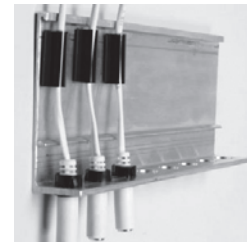
#### EB-SP1

Single Connector  
Drywall Termination  
Fixture for EB  
dampers



#### EB-AB8

Eight Connector  
Wall Bracket for EB  
dampers



#### EB-SP8

Eight Connector  
Drywall Termination  
Fixture for EB  
dampers



#### EB-REMOTE

Remote Control for  
EB dampers





Mounting	
<b>PL</b>	Mounting clips for PLKB plenum
<b>PM</b>	Mounting crossbar for installation without plenum

Finish	
<b>M9016</b>	Powder Coated White RAL 9016
<b>R9010</b>	Powder Coated White RAL 9010
<b>R9005M</b>	Powder Coated Matte Jet Black RAL 9005
<b>RAL xxxx</b>	Please Specify:

Plenum	
<b>PLKB-S-PL</b>	Side connection, PL mounting
<b>PLKB-T-PL</b>	Top (Back) connection, PL mounting
<b>PLKB-S-PM</b>	Side connection, PM mounting
<b>PLKB-T-PM</b>	Top (Back) connection, PM mounting

Insulation	
<b>AL</b>	1/2" Interior Accoustical Liner
<b>ALC</b>	1/2" Interior Closed Cell Accoustical Insulation
<b>R6</b>	2" Exterior R6 Thermal Insulation

Neck-Installed Air Volume Damper		Cable Length (inches)
<b>R</b>	Perforated air volume damper/equalizer	
<b>MRT</b>	Manually operated, cable thru face	
<b>MRT2</b>	Manually operated, termination fixture	
<b>EB</b>	Electro-balanced, battery powered, cable thru face	
<b>EB2</b>	Electro-balanced, battery powered, cable thru drywall	

<p><b>Project:</b></p> <p><b>Engineer:</b></p> <p><b>Architect:</b></p> <p><b>Contractor:</b></p> <p><b>Tag:</b></p>
--