

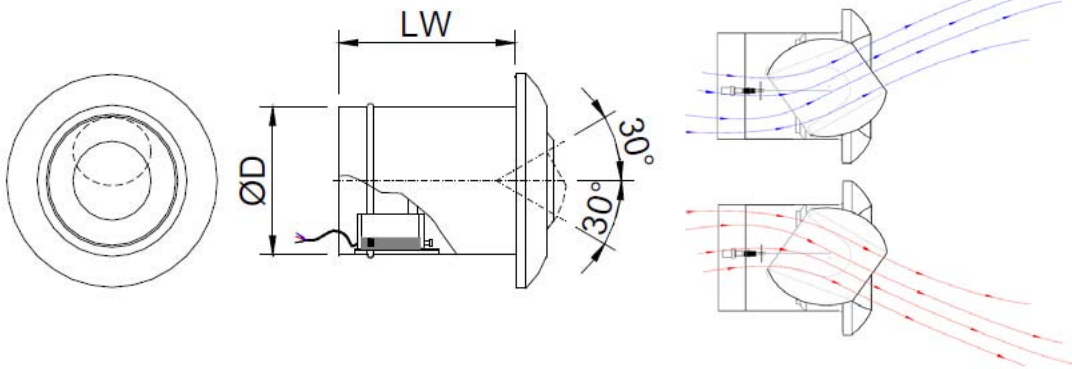
KAM-W-M5 Series Jet Nozzle Diffuser - Surface Mount Adjusted by On/Off Actuator

Material | Powder coated heavy gauge spun aluminum.

Air Pattern | Adjustable directional jet, long throw. Horizontal jet is adjusted up and down by means of an On/Off Actuator.



KAM-W-M5
by MADEL®



PATENTED

Select Model			
✓	Model	Duct Size	LW
	KAM-W-M5 10	10"D	5 1/8"
	KAM-W-M5 12	12.5"D	6 17/32"
	KAM-W-M5 14	14"D	8 11/32"

All dimensions in inches (in)

Select Finish	
M9016	Powder Coated White RAL 9016
M9006	Powder Coated Metallic Grey RAL 9006
RAL xxxx	Please Specify:

Project:
Engineer:
Architect:
Contractor: