

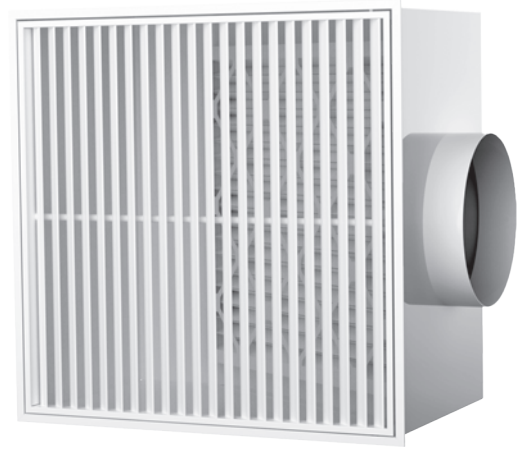
### FLYIN Series Architectural Filter Ceiling Return

**Material** | Powder coated galvanized steel plenum and aluminum face

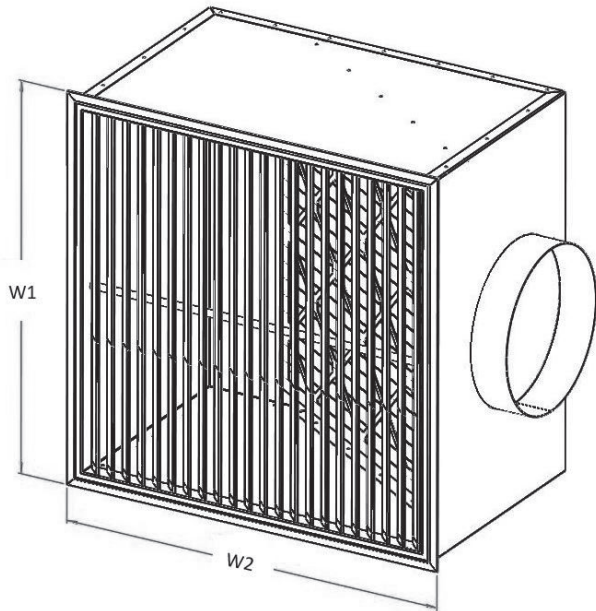
**Face** | Removable hinged face with magnetic lock, 45 degree louvers

**Filter** | 20" x 20" x 2" MERV-9 Filter included

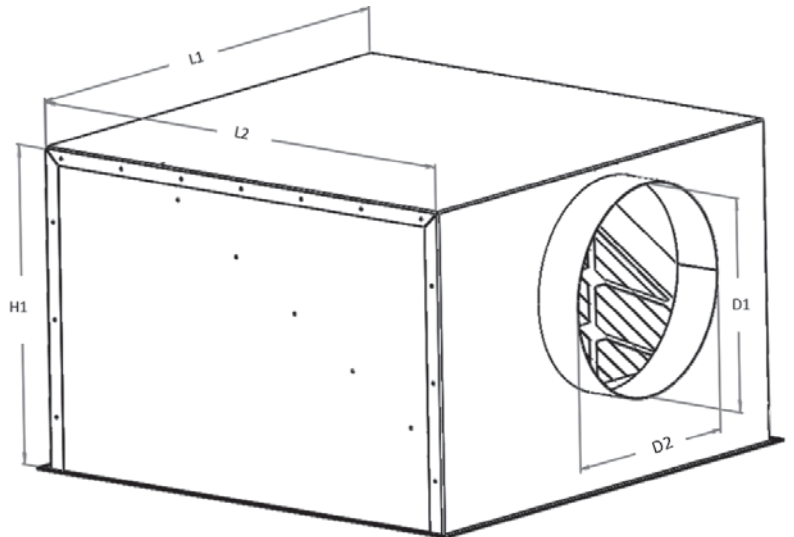
**Ceiling Types** | All



**FLYIN**

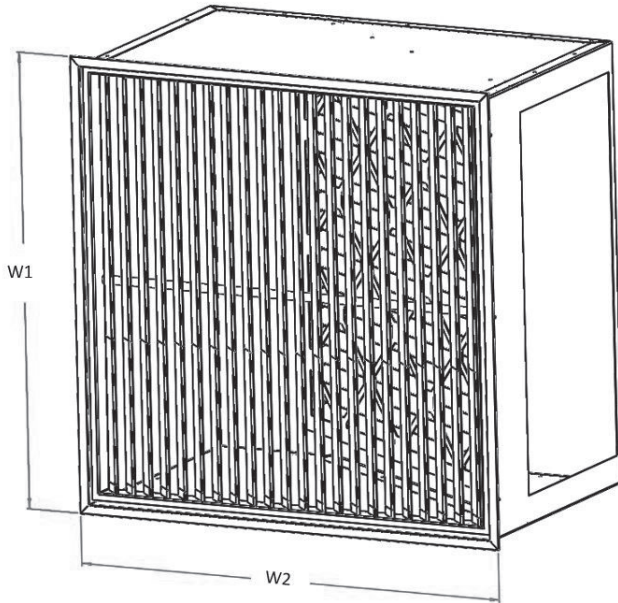


**FLYIN 2410**

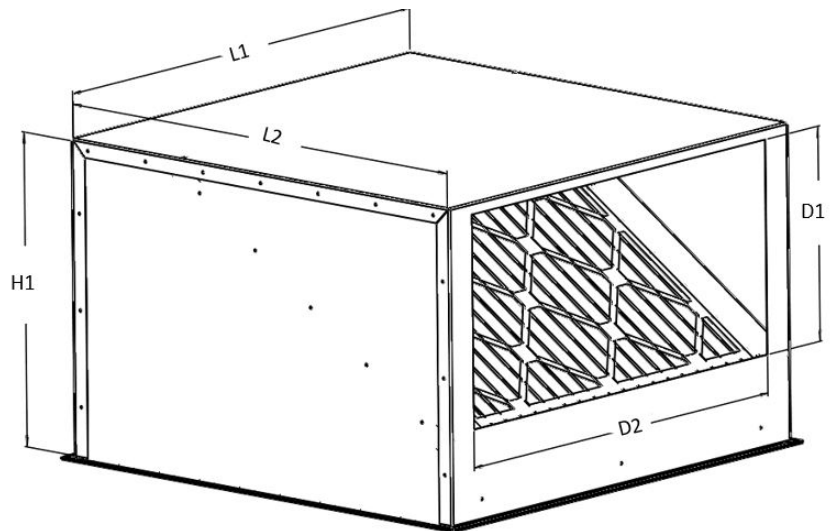


#### Select Model

✓	Model	W1	W2	L1	L2	H1	D1	D2
	FLYIN 2410	23" 7/8	23" 7/8	22" 7/8	22" 15/16	14" 7/8	9" 7/8	9" 7/8
	FLYIN 2412	23" 7/8	23" 7/8	22" 7/8	22" 15/16	14" 7/8	7" 7/8	15" 7/8
	FLYIN 2416	23" 7/8	23" 7/8	22" 7/8	22" 15/16	14" 7/8	9" 7/8	21" 7/8



**FLYIN 2400**



Select Model								
✓	Model	W1	W2	L1	L2	H1	D1	D2
	FLYIN 2400*	23" 7/8	23" 7/8	22" 7/8	22" 15/16	14" 7/8	10" <sup>(1)</sup>	20" <sup>(1)</sup>

\*FLYIN 2400 for non ducted ceiling plenum applications has no collar and a rectangular opening

**Select Options**

R6 Thermal Insulation

**Select Interior Finish**

Powder Coated White RAL9016

Other RAL:

**Select Face Finish**

Powder Coated White RAL9016

Other RAL:

**Project:**

**Engineer:**

**Architect:**

**Contractor:**