

## DSO Series Manually Adjustable Aluminum Round Diffuser

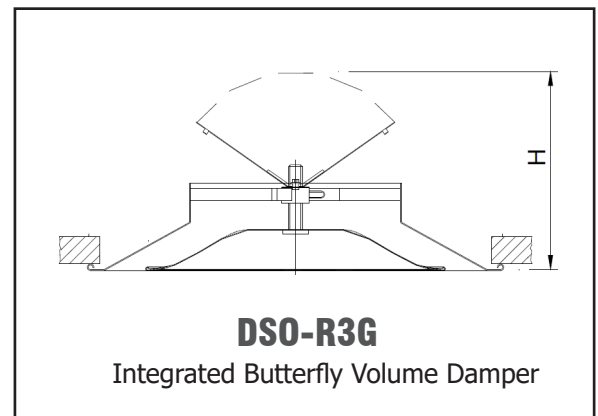
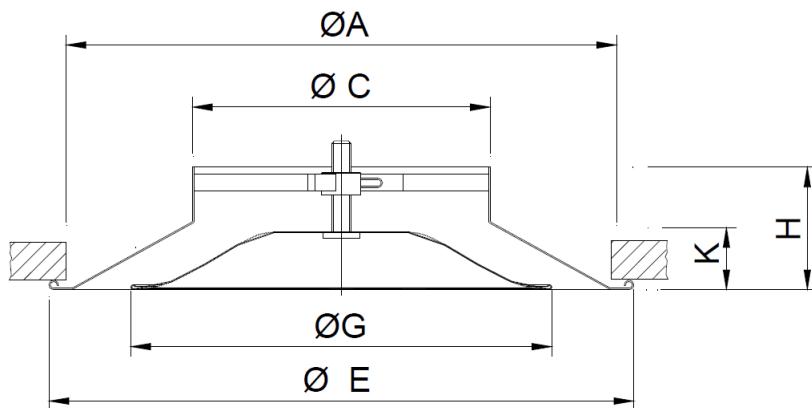
**Material** | Powder coated heavy gauge spun aluminum.

**Air Pattern** | 360° diffusion with vertical throw adjustment.

**Ceiling Types** | Open and Closed.



**DSO**  
by MADEL®



Select Model										
✓	<b>Model</b>	<b>Duct</b>	<b>A</b>	<b>C</b>	<b>E</b>	<b>H</b>	<b>K</b>		<b>Model</b>	✓
	<b>DSO 160</b>	160	300	157	325	101	44		<b>DSO-R3G 160</b>	
	<b>DSO 200</b>	200	398	197	425	115	58		<b>DSO-R3G 200</b>	
	<b>DSO 250</b>	250	487	248	510	128	72		<b>DSO-R3G 250</b>	
	<b>DSO 315</b>	315	550	313	575	137	80		<b>DSO-R3G 315</b>	

All dimensions in millimeters (mm)

Select Finish	
	Powder Coated White RAL9016
	Other RAL:

<b>Project:</b>	
<b>Engineer:</b>	
<b>Architect:</b>	
<b>Contractor:</b>	