

DSO Series Architectural Aluminum Round Plaque Diffusers

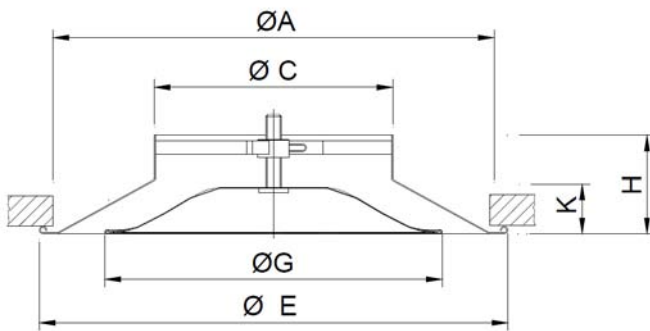
Material | Powder coated heavy gauge spun aluminum.

Air Pattern | 360° diffusion.

Ceiling Types | Open and Closed.



DSO
by MADEL®



Select Model						
✓	Model	A	C	E	H	K
	DSO 06	11 13/16	5 3/4	12 51/64	4 15/16	1 47/64
	DSO 08	15 43/54	7 3/4	16 47/64	4 17/32	2 9/32
	DSO 10	19 11/64	9 3/4	20 5/64	5 3/64	2 53/64
	DSO 12	21 21/32	11 3/4	22 41/64	6 19/32	3 5/32

All dimensions in inches

Select Model	
✓	Model
	DSO-R3G 08
	DSO-R3G 10
	DSO-OBD 06
	DSO-OBD 12
	DSO-RSBD 06
	DSO-RSBD 12

Select Finish	
	Powder Coated White RAL9016
	Other RAL:

DSO-R3G
Integrated Butterfly Volume Damper
(N/A for 6" and 12")

OBD
Opposed Blade Damper

RSBD
Radial Sliding Blade Damper

(both only for 6" and 12")

Project:

Engineer:

Architect:

Contractor: