

### DSO-MOD Series Manually Adjustable Aluminum Round Diffusers

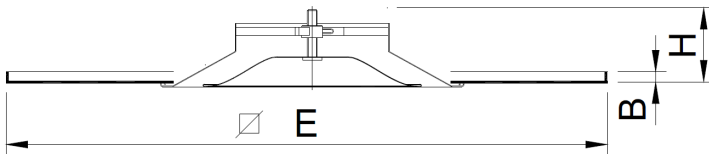
**Material** | Powder coated heavy gauge spun aluminum.

**Air Pattern** | 360° diffusion with vertical throw adjustment.

**Ceiling Types** | Open and Closed.



**DSO-MOD**  
by MADEL®

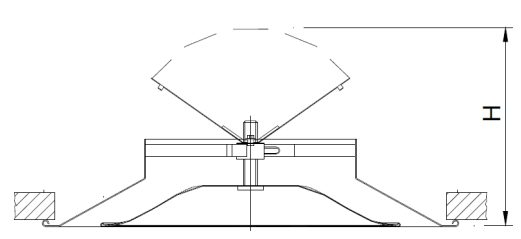


Select Model				
✓	Model	B	E	H
	<b>DSO-MOD 06</b>	15/32	23 3/4	4 15/16
	<b>DSO-MOD 08</b>	15/32	23 3/4	4 17/32
	<b>DSO-MOD 10</b>	15/32	23 3/4	5 3/64
	<b>DSO-MOD 12</b>	15/32	23 3/4	6 19/32


All dimensions in inches  
For other dimensions see DSO

Select Model	
✓	Model
	<b>DSO-MOD-R3G 08</b>
	<b>DSO-MOD-R3G 10</b>
	<b>DSO-MOD-OBD 06</b>
	<b>DSO-MOD-OBD 12</b>
	<b>DSO-MOD-RSBD 06</b>
	<b>DSO-MOD-RSBD 12</b>


Select Finish	
	Powder Coated White RAL9016
	Other RAL:



**DSO-R3G**  
Integrated Butterfly Volume Damper  
(N/A for 6" and 12")



**OBD**  
Opposed Blade Damper



**RSBD**  
Radial Sliding Blade Damper

**(both only for 6" and 12")**

**Project:**  
**Engineer:**  
**Architect:**  
**Contractor:**