

## BWC Series Steel Adjustable Round Ventilation Valves

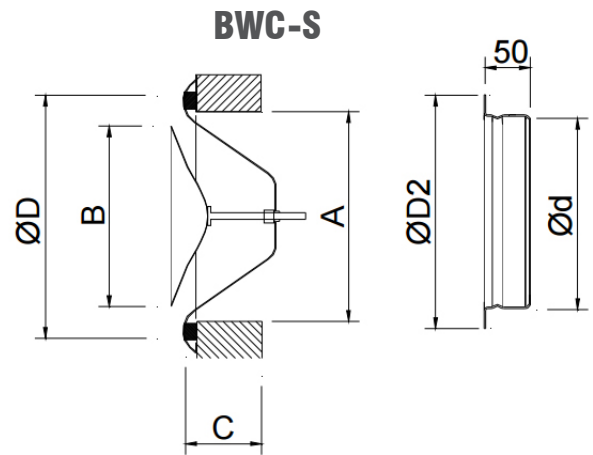
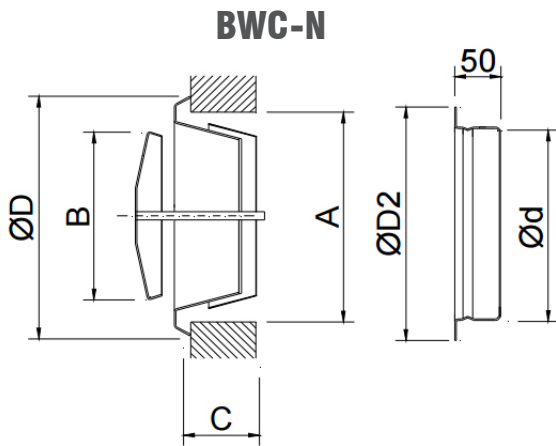
**Material** | Powder coated heavy gauge steel.

**Air Pattern** | 360° diffusion with flow adjustment.

**Ceiling Types** | Drywall and duct.



**BWC-N**



Select Model							
✓	Model	A	B	C	Ød	ØD2	ØD
	BWC-N 04	4.09"	2.95"	1.57"	3.9"	4.92"	5.39"
	BWC-N 05	5.08"	3.9"	1.81"	4.88"	5.91"	6.46"
	BWC-N 06	6.65"	5.08"	2.13"	5.9"	6.91"	7.75"
	BWC-N 08	8.23"	6.18"	2.48"	7.83"	8.85"	9.76"
	BWC-S 04	4.09"	2.95"	1.57"	3.9"	4.8"	5.51"
	BWC-S 05	5.08"	3.9"	1.81"	4.88"	5.83"	6.69"
	BWC-S 06	6.65"	4.69"	2.13"	5.9"	6.91"	7.85"
	BWC-S 08	8.23"	6.18"	2.52"	7.83"	8.85"	10"

All dimensions in inches

Select Finish	
	Powder Coated White RAL9016
	Other (specify) :

**Project:**  
**Engineer:**  
**Architect:**  
**Contractor:**