

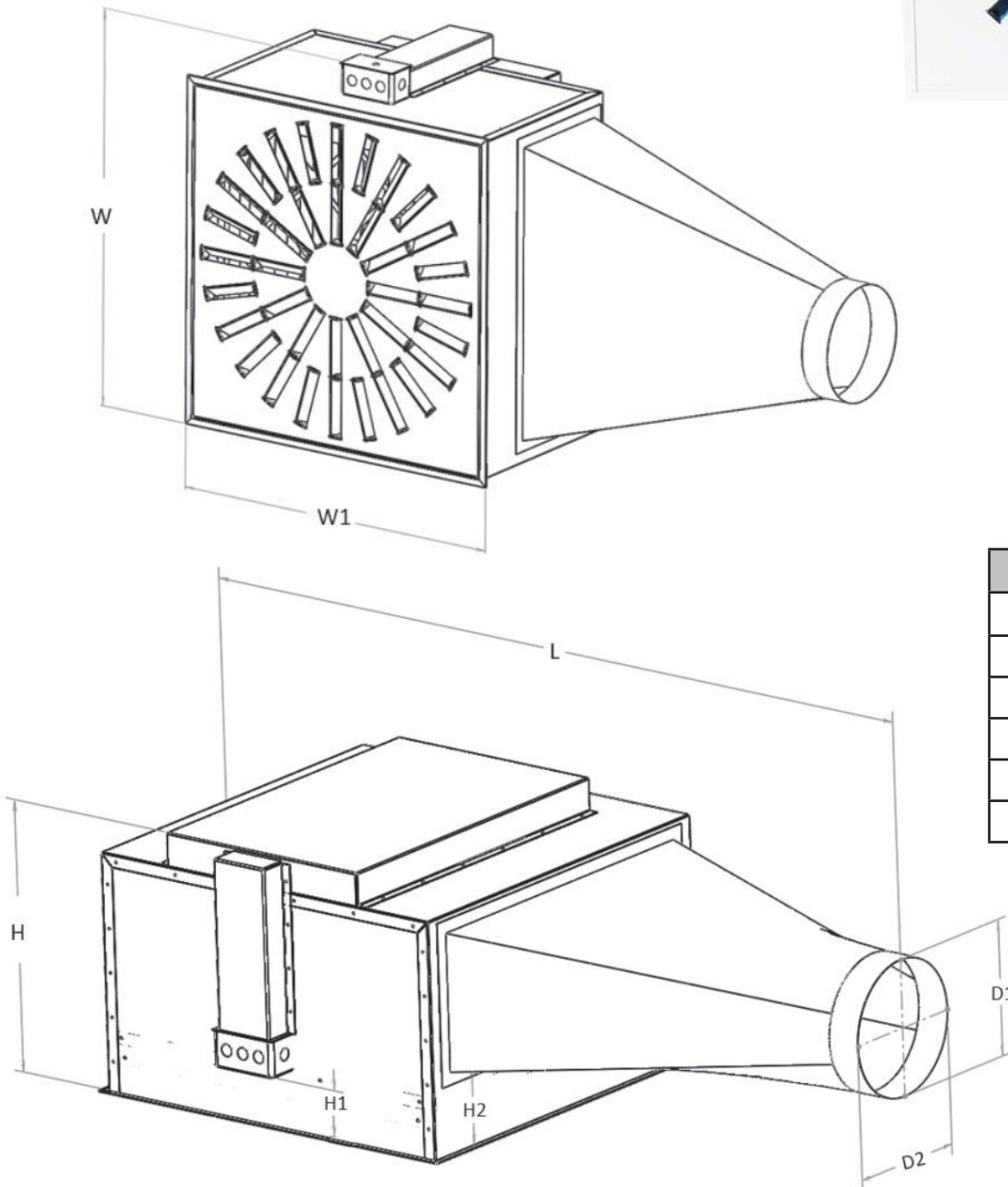
AXO-UV Series High Induction Swirl UV Diffusers

Material | Powder coated stamped heavy gauge steel or aluminum face with black ABS vanes, aluminum plenum, UVC lamp and 2" UV-resistant pleated filter

Air Pattern | Adjustable high induction swirl pattern



AXO-UV



Dimensions	
W	25 2/3"
W1	23 7/8"
H	15 7/8"
H1	3 9/16"
H2	4 3/4"
L	47 1/2"

Select Model				
Model	Material	CFM Min	CFM Max	
AXO-S300-UV	Steel	50	130	
AXO-S400-UV	Steel	100	250	
AXO-S-UV	Steel	230	500	
AXO-SX-UV	Steel	300	550	
AXO-ALU-S300-UV	Aluminum	50	130	
AXO-ALU-S400-UV	Aluminum	100	250	
AXO-ALU-S-UV	Aluminum	230	500	
AXO-ALU-SX-UV	Aluminum	300	550	

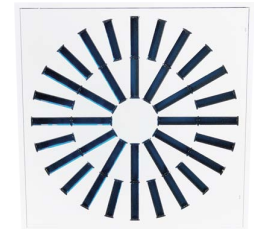


S300



S400

Select Dimension				
Dimension	Face	D1	D2	
2406	23 7/8" x 23 7/8"	5 7/8"	5 7/8"	
2407	23 7/8" x 23 7/8"	6 7/8"	6 7/8"	
2408	23 7/8" x 23 7/8"	7 7/8"	7 7/8"	
2410	23 7/8" x 23 7/8"	11"	8"	
2412	23 7/8" x 23 7/8"	16"	8"	



S



SX

Filter	
UVFILTER-W-M9	2" MERV-9 UV Resistant White Pleated Filter
UVFILTER-C-M7	2" MERV-7 UV Resistant Carbon Pleated Filter

Select Finish	
	Powder Coated White RAL9016
	Other RAL :

<p>Project:</p> <p>Engineer:</p> <p>Architect:</p> <p>Contractor:</p>
