



BWC
Adjustable Steel Ventilation Valves







BWC SERIES

Steel Adjustable Round Ventilation Valves



BWC-N

-  Ideal for residential applications
-  Rotate core clockwise or counter-clockwise to adjust airflow
-  Higher quality than plastic
-  Comes with gasket to avoid air leaks

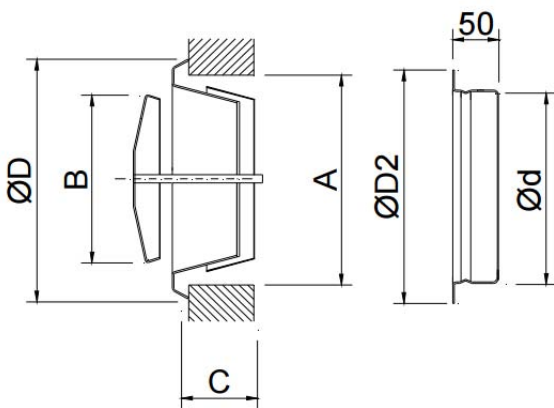
BWC series valves are designed for the air supply or air exhaust in air conditioning, ventilation or heating installations.

Especially suitable for air exhaustion in washrooms and for ventilation installation in houses, apartments, offices, schools and hospitals.

It is mounted in walls or on duct. BWC valves allow for high airflow pass obtaining good results in sound pressure performance. Flow is easily adjusted by turning the central part of the valve.

Neck Diameter	BWC-N	
	Min cfm	Max cfm
4" (100 mm)	6	88
5" (125 mm)	12	129
6" (150 mm)	12	147
8" (200 mm)	18	259

BWC-N Dimensions



Duct Diameter	A	B	C	Ød	ØD2	ØD
4"	4.09"	2.95"	1.57"	3.9"	4.92"	5.39"
5"	5.08"	3.9"	1.81"	4.88"	5.91"	6.46"
6"	6.65"	5.08"	2.13"	5.9"	6.91"	7.75"
8"	8.23"	6.18"	2.48"	7.83"	8.85"	9.76"

How to Specify BWC

Supply and mounting of circular valve with adjustable core NWC-N for extract or air supply with mounting neck series BWC constructed from galvanized steel and powder coated in white RAL9016, by EffectiV HVAC.

How to Order BWC Series

BWC	-N	04		
			Imperial	Metric
		Neck Diameter	04	4"D
			05	5"D
			06	6"D
			08	8"D
			-N	Supply and Return
				100 100 mm
				125 125 mm
				150 150 mm
				200 200 mm