

SKP Series Low Pressure Constant Air Volume Damper

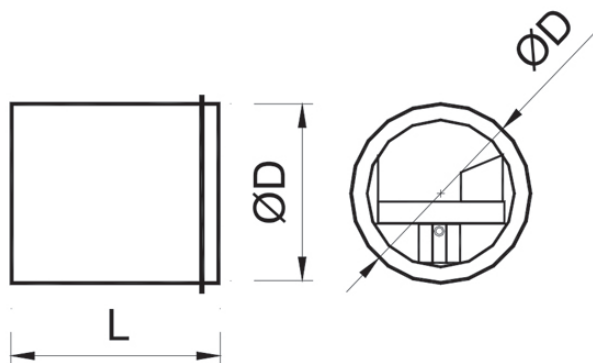
Material | Plastic (Rated UL 2043)

Pressure | between 50 Pa and 250 Pa

Ajustment | self-adjustable



SKP



Select Model				
✓	Model	D	L	m3/h
	SKP 80-30	76 mm	55 mm	15 - 50
	SKP 100-30	96 mm	70 mm	15 - 50
	SKP 100-60	96 mm	70 mm	50 - 100
	SKP 125-30	120 mm	86 mm	15 - 50
	SKP 125-60	120 mm	86 mm	50 - 100
	SKP 125-120	120 mm	86 mm	100 - 180
	SKP 150-150	148 mm	91 mm	100 - 180
	SKP 150-210	148 mm	91 mm	180 - 300
	SKP 160-150	148 mm	91 mm	100 - 180
	SKP 160-210	148 mm	91 mm	180 - 300
	SKP 200-300	195 mm	91 mm	180 - 300
	SKP 200-350	195 mm	91 mm	300 - 500
	SKP 250-500	245 mm	91 mm	300 - 500
	SKP 250-600	245 mm	91 mm	500 - 700

Project:	
Engineer:	
Architect:	
Contractor:	