

### SKC-C Series Constant Air Volume Damper For Circular Duct

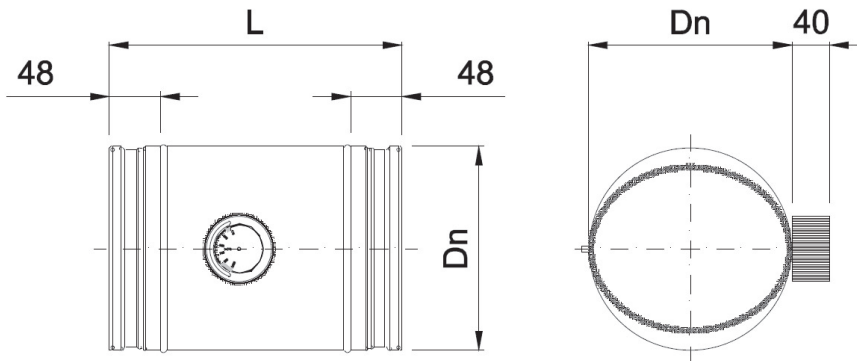
**Material** | Galvanized Steel

**Pressure** | between 50 Pa and 1000 Pa

**Ajustment** | manually pre-set, self-adjustable



**SKC-C**



Select Model						
✓	Model	Dn	L	m3/h	Min Pressure (Pa)	Max Pressure (Pa)
	SKC-C 80	78 mm	225 mm	60 - 150	50 - 115	1000
	SKC-C 100	98 mm	270 mm	100 - 250	50 - 110	1000
	SKC-C 125	123 mm	270 mm	100 - 350	50 - 80	1000
	SKC-C 160	158 mm	295 mm	180 - 600	50 - 100	1000
	SKC-C 200	198 mm	295 mm	250 - 900	50 - 125	1000
	SKC-C 250	248 mm	335 mm	450 - 1200	50 - 135	1000
	SKC-C 315	313 mm	340 mm	700 - 2100	50 - 220	1000
	SKC-C 355	353 mm	380 mm	900 - 2600	50 - 220	1000
	SKC-C 400	398 mm	420 mm	1000 - 3400	50 - 220	1000

<p><b>Project:</b></p> <p><b>Engineer:</b></p> <p><b>Architect:</b></p> <p><b>Contractor:</b></p>
---