

### SKC-C Series Constant Air Volume Damper For Circular Duct

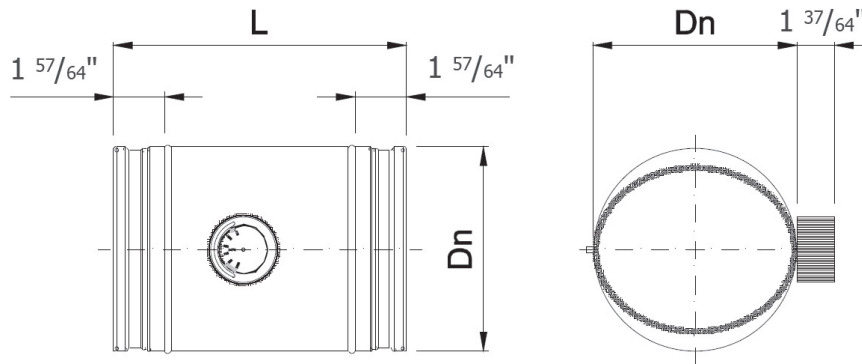
**Material** | Galvanized Steel

**Pressure** | 0.2 - 4 in.w.g. (50 - 1000 Pa)

**Ajustment** | manually pre-set, self-adjustable



**SKC-C**



Select Model						
✓	Model	Dn	L	cfm	Min Pressure (in.w.g.)	Max Pressure (in.w.g.)
	SKC-C 04	3 55/64"	8 55/64"	59 - 147	0.201 - 0.442	4.019
	SKC-C 05	4 27/32"	10 5/8"	59 - 206	0.201 - 0.321	4.019
	SKC-C 06	6 7/32"	11 39/64"	106 - 353	0.201 - 0.402	4.019
	SKC-C 08	7 51/64"	11 39/64"	147 - 529	0.201 - 0.502	4.019
	SKC-C 10	9 49/64"	13 3/16"	265 - 706	0.201 - 0.543	4.019
	SKC-C 12	12 21/64"	13 25/64"	412 - 1235	0.201 - 0.884	4.019
	SKC-C 14	13 57/64"	14 61/64"	529 - 1529	0.201 - 0.884	4.019
	SKC-C 16	15 43/64"	16 17/32"	588 - 2000	0.201 - 0.884	4.019

<p><b>Project:</b></p> <p><b>Engineer:</b></p> <p><b>Architect:</b></p> <p><b>Contractor:</b></p>
---