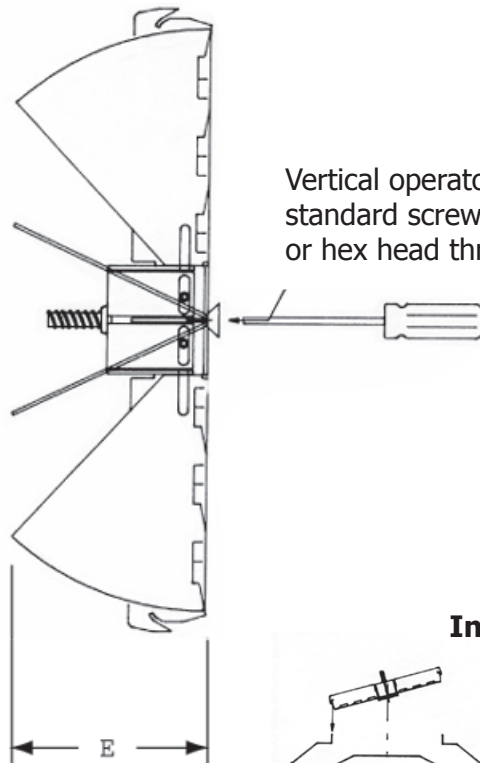
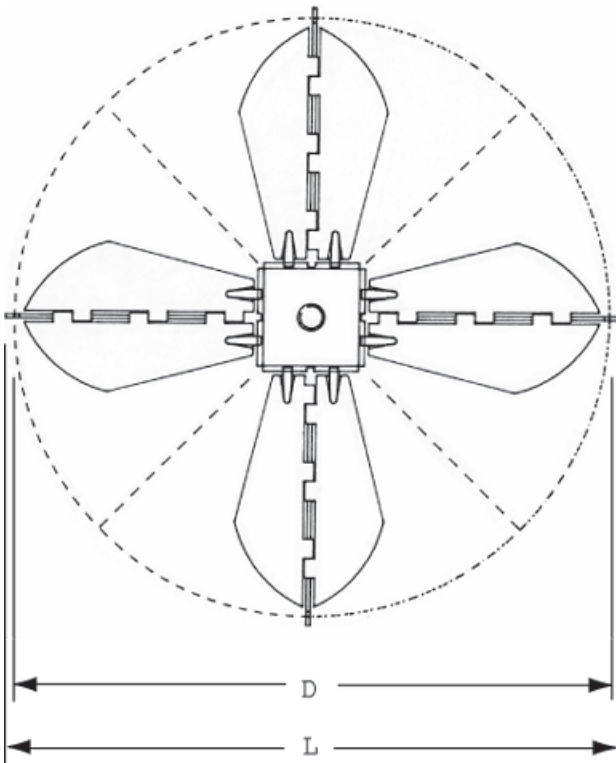
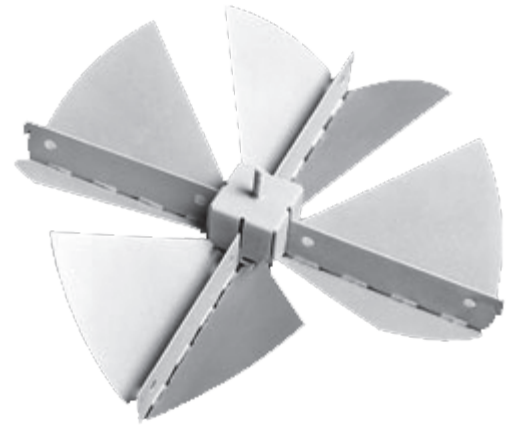


OBD Series Radial Opposed Blade Dampers

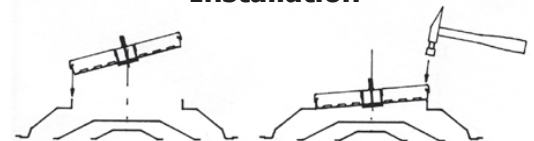
Material | heavy gauge galvanized steel.

Matching Products | DCG 6" and 12", TWIST 6", 8", 10" and 12".



Vertical operator accepts standard screwdriver for slotted or hex head thru diffuser face.

Installation



Select Model				
✓	Model	L	D	E
	OBD 06	6"	5 3/4"	2 3/8"
	OBD 08	8"	7 3/4"	3 1/8"
	OBD 10	10"	9 3/4"	3 3/4"
	OBD 12	12"	11 3/4"	4 1/2"

Project:	
Engineer:	
Architect:	
Contractor:	