



NEX-S Series Concave Elements Architectural Square Swirl Diffuser

Material | Powder coated stamped heavy gauge steel face with ABS diffusion elements and galvanized steel plenum.

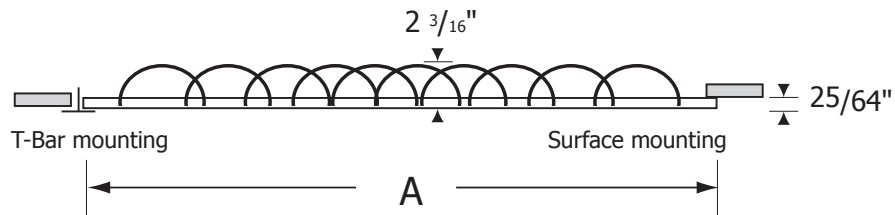
Air Pattern | Fix high induction swirl pattern.

Ceiling Types | False, Open and Closed.



NEX-S
by MADEL®

PATENTED

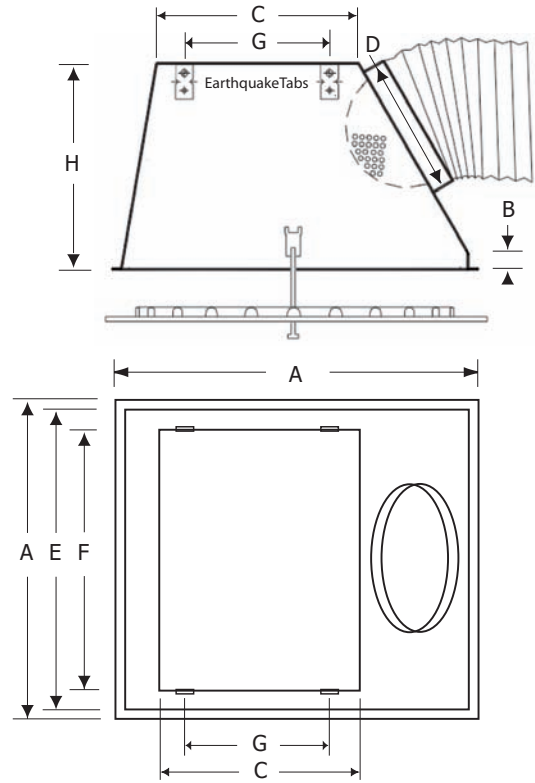


Select Model					
✓	Imperial	A	✓	Metric	A
	NEX-S 12	11 3/4"		NEX-S 300	295 mm
	NEX-S 24	23 3/4"		NEX-S 610	605 mm

Select Elements Color	
	White Elements (Standard)
	Lavender Blue (/EL)
	Pistachio Green (/EV)
	Night (/EN)
	Red (/ER)

Select Finish	
	Powder Coated White RAL9016
	Other RAL:

Plenum



PERFAIR-SS

Trapezoidal with side duct connection, recommended for closed ceilings and false ceilings.

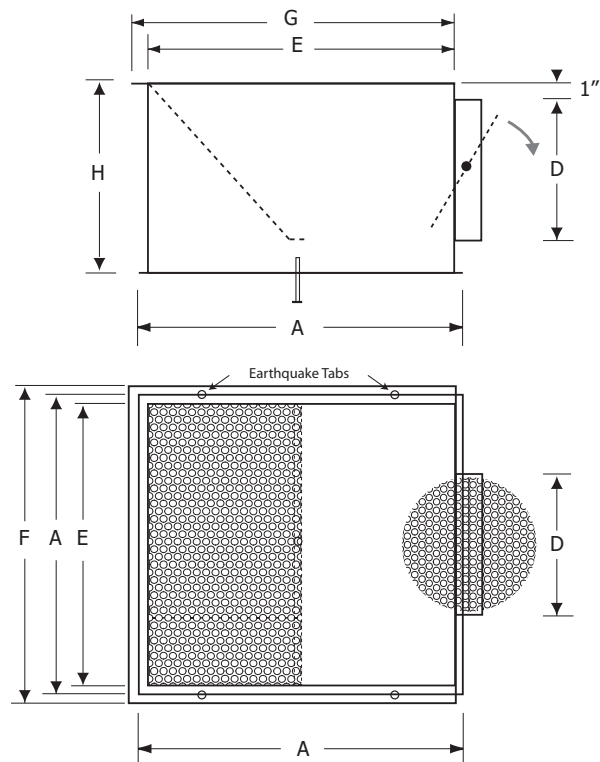
Select Model										
✓	Model	Duct Size	A	B	C	D	E	F	G	H
	PERFAIR-SS 1205	5	11 1/2	1	5 3/4	4 7/8	10 3/4	10 1/2	6 5/8	9 27/32
	PERFAIR-SS 1206	6	11 1/2	1	5 3/4	5 7/8	10 3/4	10 1/2	6 5/8	9 27/32
	PERFAIR-SS 1208	8	11 1/2	1	5 3/4	7 7/8	10 3/4	10 1/2	6 5/8	12
	PERFAIR-SS 1606	6	15 3/8	1	7 1/2	5 7/8	14 5/8	13 5/8	8 5/8	12
	PERFAIR-SS 1608	8	15 3/8	1	7 1/2	7 7/8	14 5/8	13 5/8	8 5/8	12
	PERFAIR-SS 2006	6	19 1/4	1	8 1/2	5 7/8	18 5/8	17 5/8	8 5/8	12
	PERFAIR-SS 2008	8	19 1/4	1	8 1/2	7 7/8	18 5/8	17 5/8	8 5/8	12
	PERFAIR-SS 2010	10	19 1/4	1	8 1/2	9 7/8	18 5/8	17 5/8	8 5/8	12
	PERFAIR-SS 2405	5	23 1/2	1	10 1/2	4 7/8	22 5/8	21 5/8	8 5/8	13 25/32
	PERFAIR-SS 2406	6	23 1/2	1	10 1/2	5 7/8	22 5/8	21 5/8	8 5/8	13 25/32
	PERFAIR-SS 2408	8	23 1/2	1	10 1/2	7 7/8	22 5/8	21 5/8	8 5/8	13 25/32
	PERFAIR-SS 2410	10	23 1/2	1	10 1/2	9 7/8	22 5/8	21 5/8	8 5/8	13 25/32
	PERFAIR-SS 2412	12	23 1/2	1	10 1/2	11 7/8	22 5/8	21 5/8	8 5/8	13 25/32
	PERFAIR-SS 3212	12	31 1/4	1		11 7/8				

All dimensions in inches

Plenum (continued)

PERFAIR-SSS

Rectangular with side connection, recommended for open ceilings with rigid duct entering from the side.



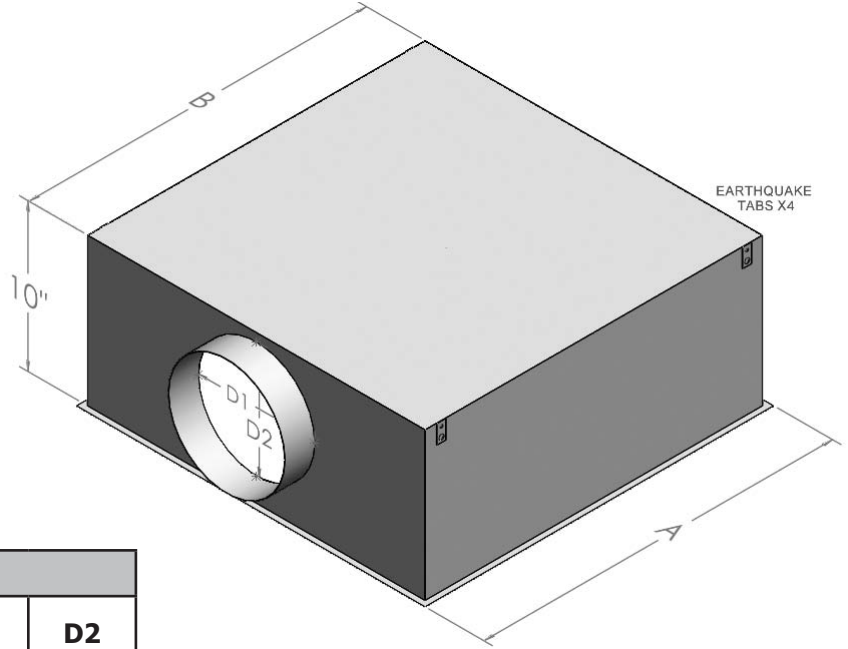
Select Model								
✓	Model	Duct Size	A	D	E	F	G	H
	PERFAIR-SSS 1205	5	11 1/2	4 7/8	10 3/4	13 3/4	12 3/4	10
	PERFAIR-SSS 1206	6	11 1/2	5 7/8	10 3/4	13 3/4	12 3/4	10
	PERFAIR-SSS 1208	8	11 1/2	7 7/8	10 3/4	13 3/4	12 3/4	10
	PERFAIR-SSS 1606	6	15 3/8	5 7/8	14 5/8	16 5/8	15 5/8	12
	PERFAIR-SSS 1608	8	15 3/8	7 7/8	14 5/8	16 5/8	15 5/8	12
	PERFAIR-SSS 2006	6	19 1/4	5 7/8	18 5/8	21 5/8	19 5/8	14
	PERFAIR-SSS 2008	8	19 1/4	7 7/8	18 5/8	21 5/8	19 5/8	14
	PERFAIR-SSS 2010	10	19 1/4	9 7/8	18 5/8	21 5/8	19 5/8	14
	PERFAIR-SSS 2405	5	23 1/2	4 7/8	22 5/8	24 5/8	23 5/8	14
	PERFAIR-SSS 2406	6	23 1/2	5 7/8	22 5/8	24 5/8	23 5/8	14
	PERFAIR-SSS 2408	8	23 1/2	7 7/8	22 5/8	24 5/8	23 5/8	14
	PERFAIR-SSS 2410	10	23 1/2	9 7/8	22 5/8	24 5/8	23 5/8	14
	PERFAIR-SSS 2412	12	23 1/2	11 7/8	22 5/8	24 5/8	23 5/8	14
	PERFAIR-SSS 3212	12	31 1/4	11 7/8				

All dimensions in inches

Plenum (continued)

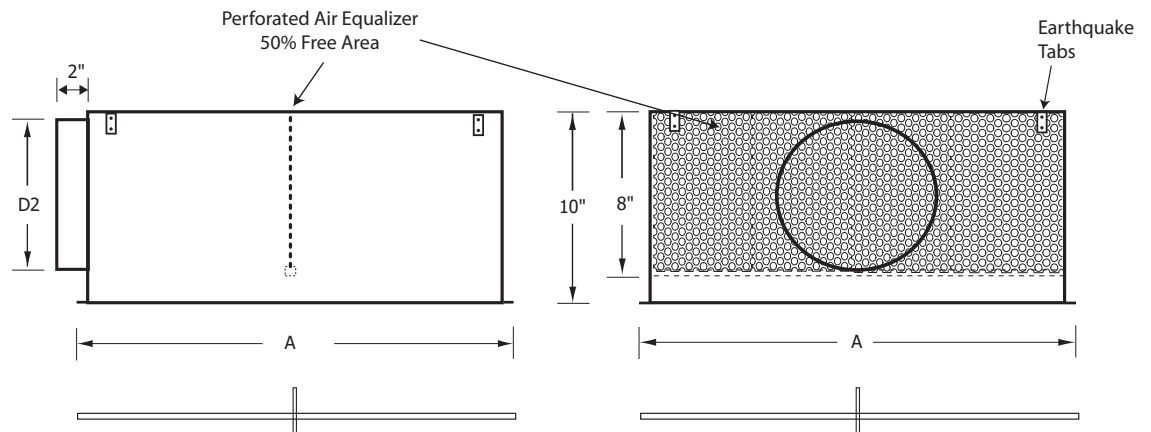
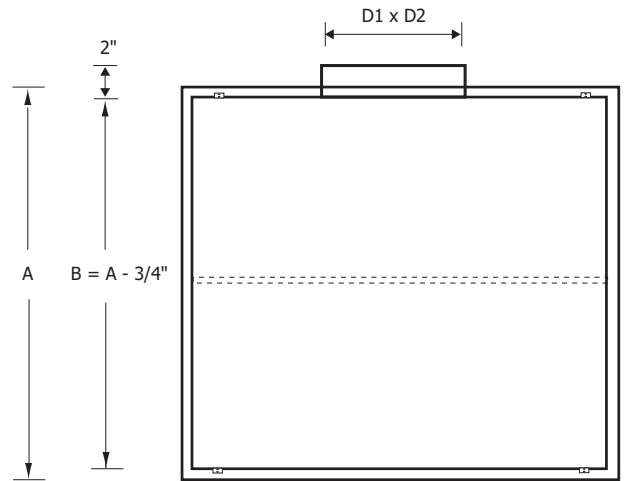
PERFAIR-X

Compact plenum (10 inches high) with side duct connection.



Select Model					
✓	Model	Duct Size	A	D1	D2
	PERFAIR-X 1605	5	15 1/2	4 7/8	4 7/8
	PERFAIR-X 1606	6	15 1/2	5 7/8	5 7/8
	PERFAIR-X 1608	8	15 1/2	7 7/8	7 7/8
	PERFAIR-X 2005	5	19 1/2	4 7/8	4 7/8
	PERFAIR-X 2006	6	19 1/2	5 7/8	5 7/8
	PERFAIR-X 2008	8	19 1/2	7 7/8	7 7/8
	PERFAIR-X 2010	10	19 1/2	11	8
	PERFAIR-X 2405	5	23 1/2	4 7/8	4 7/8
	PERFAIR-X 2406	6	23 1/2	5 7/8	5 7/8
	PERFAIR-X 2408	8	23 1/2	7 7/8	7 7/8
	PERFAIR-X 2410	10	23 1/2	11	8
	PERFAIR-X 2412	12	23 1/2	16	8

All dimensions in inches



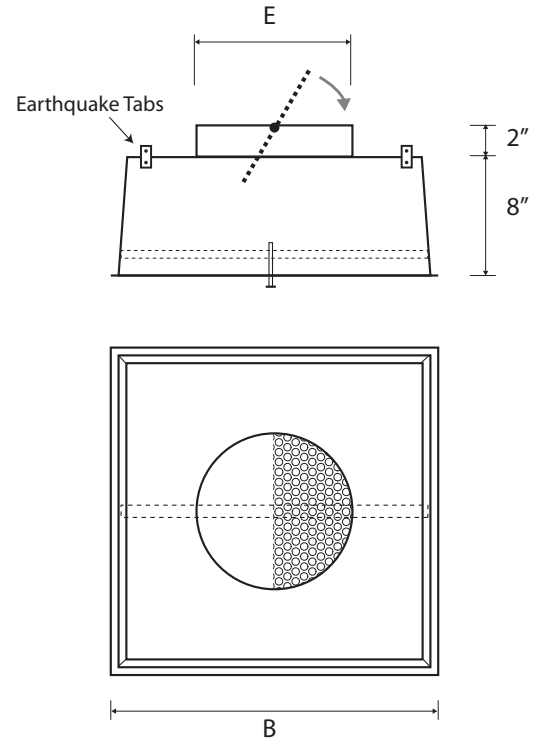
Plenum (continued)

PERFAIR-ST

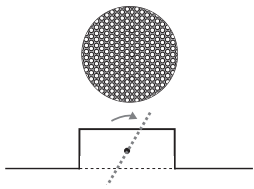
Top duct connection, recommended for open ceilings with visible duct.

Select Model				
✓	Model	Duct Size	B	E
	PERFAIR-ST 1206	6	11 1/2	5 7/8
	PERFAIR-ST 1208	8	11 1/2	7 7/8
	PERFAIR-ST 2406	6	23 1/2	5 7/8
	PERFAIR-ST 2408	8	23 1/2	7 7/8
	PERFAIR-ST 2410	10	23 1/2	9 7/8
	PERFAIR-ST 2412	12	23 1/2	11 7/8

All dimensions in inches

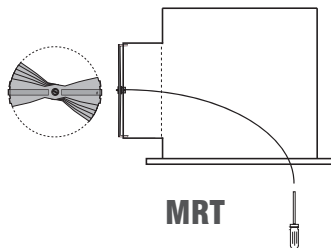


Air Volume Dampers



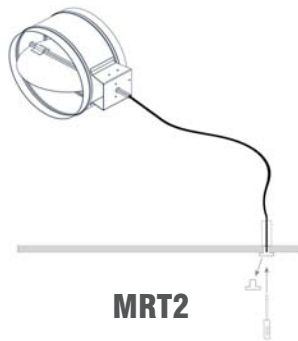
R

Perforated damper + air equalizer



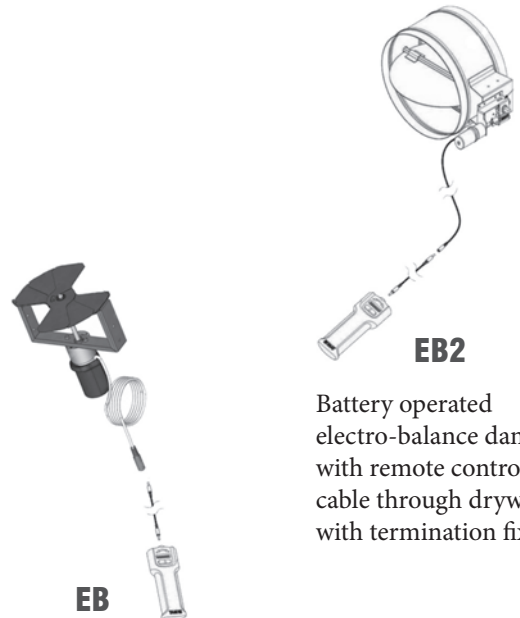
MRT

Manually operated damper, cable inside the plenum, adjustment through face



MRT2

Manually operated damper, cable through drywall with termination fixture



EB2

Battery operated electro-balance damper with remote control, cable through drywall with termination fixture

EB

Battery operated electro-balance damper with remote control, cable through face



Insulation	
AL	1/2" Interior Accoustical Liner
AL1	1" Interior Accoustical Liner
ALC	1/2" Closed Cell Accoustical Insulation
R6	2" Exterior R6 Thermal Insulation

Neck-Installed Air Volume Damper	
R	Perforated air volume damper/equalizer
MRT	Manually operated, cable thru face
MRT2	Manually operated, termination fixture
EB	Electro-balanced, battery powered, cable thru face
EB2	Electro-balanced, battery powered, termination fixture

Cable Length (MRT2 or EB2)	

Project:	
Engineer:	
Architect:	
Contractor:	