

LSD Series Linear Sectored Slot Diffusers

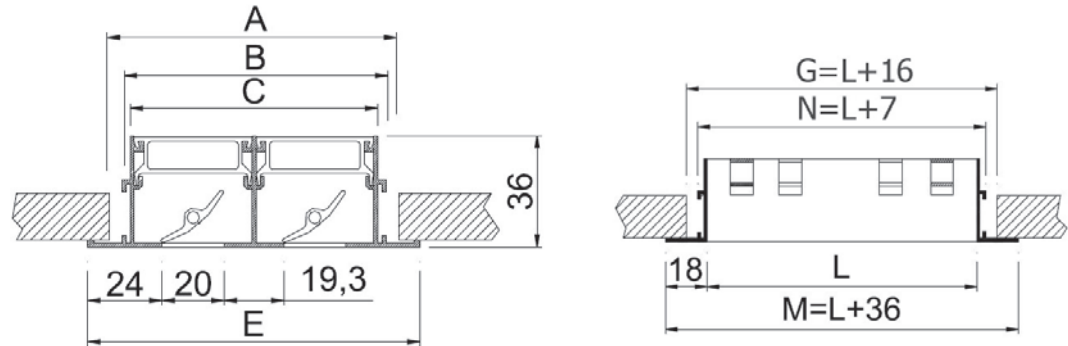
Material | Extruded aluminum and extruded PVC sectored deflection vanes

Air Pattern | Adjustable

Ceiling Types | Open and Closed



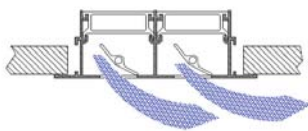
LSD
by MADEL®



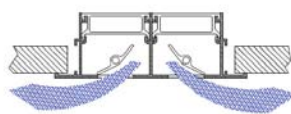
Nb Slots	E	A	B	C
1	68	55	46.7	40.5
2	107.3	95	86.1	79.9
3	146.6	134	125.5	119.3
4	185.9	173	164.9	158.7

All dimensions in mm

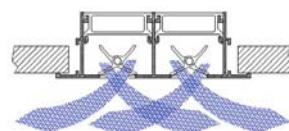
Airflow Balancing



1 Way



2 Way

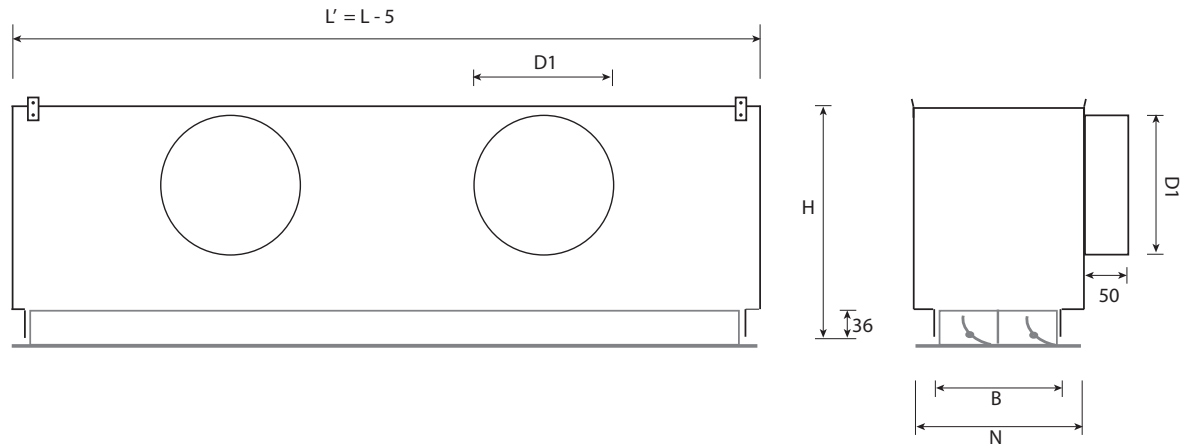


2 Way Alternate
(Default)



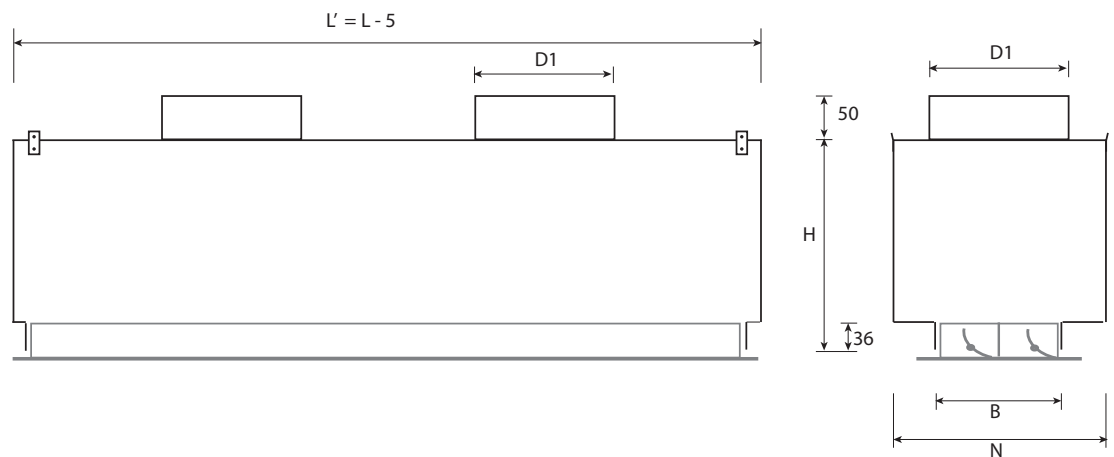
Vertical

PLSD Plenum (Side Connection)



Nb Slots	H	B	N	D1 (L ≤ 500)	D1 (L ≤ 1000)	D1 (L ≤ 1200)	D1 (L ≤ 1500)	D1 (L ≤ 2000)
1	256	46.7	69	1x 148	1x 148	1x 148	1x 148	2x 148
2	256	86.1	108	1x 148	1x 148	1x 148	2x 148	2x 148
3	296	125.5	147	1x 198	1x 198	2x 198	2x 198	2x 198
4	296	164.9	186	1x 198	1x 198	2x 198	2x 198	2x 198

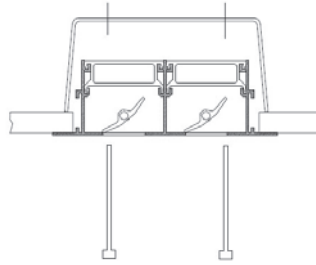
PLSD-T Plenum (Top Connection)



Nb Slots	H	B	N	D1 (L ≤ 500)	D1 (L ≤ 1000)	D1 (L ≤ 1200)	D1 (L ≤ 1500)	D1 (L ≤ 2000)
1	203	46.7	175	1x 148	1x 148	1x 148	1x 148	2x 148
2	203	86.1	175	1x 148	1x 148	1x 148	2x 148	2x 148
3	254	125.5	225	1x 198	1x 198	2x 198	2x 198	2x 198
4	254	164.9	225	1x 198	1x 198	2x 198	2x 198	2x 198

PM Mounting Kit

PM Mounting Kit consists of C shaped clips with long screws. Recommended for installation without plenum.

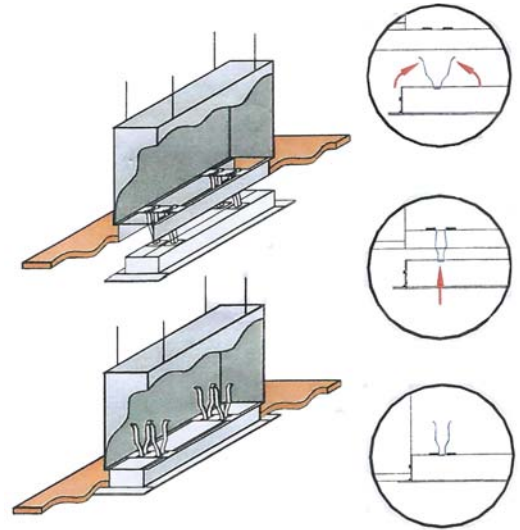


PL Hidden Mounting System

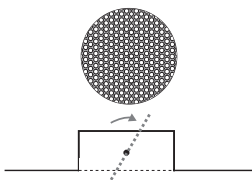
PL Hidden Mounting System consists of spring clips attached to the diffuser and special brackets attached to the plenum.

The clips have a two steps profile. The hooks must first be inserted into the brackets. The hooks secure the product in place, even when submitted to intense vibrations, making it safe for ceiling installation.

The second step only requires to push the diffuser until it lays flush with the gypsum or plenum opening. The spring pressure maintains the product in place.

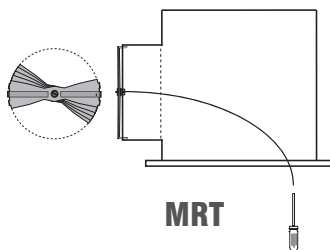


Integrated Air Volume Dampers



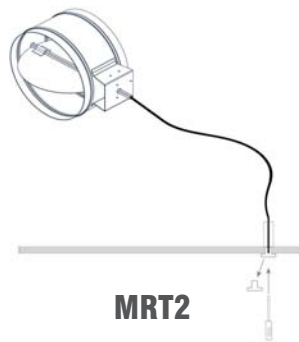
R

Perforated damper +
air equalizer



MRT

Manually operated damper,
cable inside the plenum,
adjustment through face



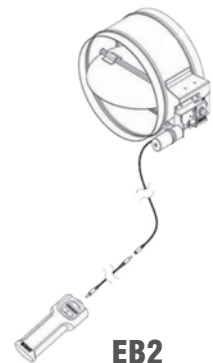
MRT2

Manually operated damper,
cable through drywall with
termination fixture



EB

Battery operated
electro-balance damper
with remote control,
cable through face



EB2

Battery operated
electro-balance damper
with remote control,
cable through drywall
with termination fixture

Select Model	
✓	LSD-100 Linear Sector Slot Diffuser, 100mm long sectors

End Borders	
AR	Two End Borders
ARI	Left End Border Only
ARD	Right End Border Only
INT	No End Border (Central Sections)

Mounting	
PL	Concealed Spring Clips (requires PLSD)
PM	Concealed U Clip
T	Visible Screws

Sectored Vanes Color	
-AN	Black
-AB	White

Finish	
/M9016	Powder Coated White RAL 9016 (standard)
/AA	Anodized in matt silver with black vanes
/RAL xxxx	Other (specify) :

Plenum	
PLSD	Side connection & hidden spring clips attachment system
PLSD-T	Top connection & hidden spring clips attachment system

Neck-Installed Air Volume Damper	
R	Perforated air volume damper/equalizer
MRT	Manually operated, cable through face
MRT2	Manually operated, drywall termination fixture
EB	Electro-balanced, battery powered, cable through face
EB2	Electro-balanced, battery powered, termination fixture

Cable Length (MRT2 or EB2)	

Insulation	
AL	1/2" (13mm) Interior Accoustical Liner
R6	2" (50mm) Exterior R6 Thermal Insulation

Air Equalizing Grid	
EQ	Perforated plate / air equalizer

Listed L (inches)	

Number of Slots	
1	1 Slot
2	2 Slots
3	3 Slots
4	4 Slots

Airflow Balancing (Optional)	
W1	1 Way
W2	2 Way
W2A	2 Way Alternate (Default)
V	Vertical

Project:	
Engineer:	
Architect:	
Contractor:	