

### LSD Series Linear Sectored Slot Diffusers

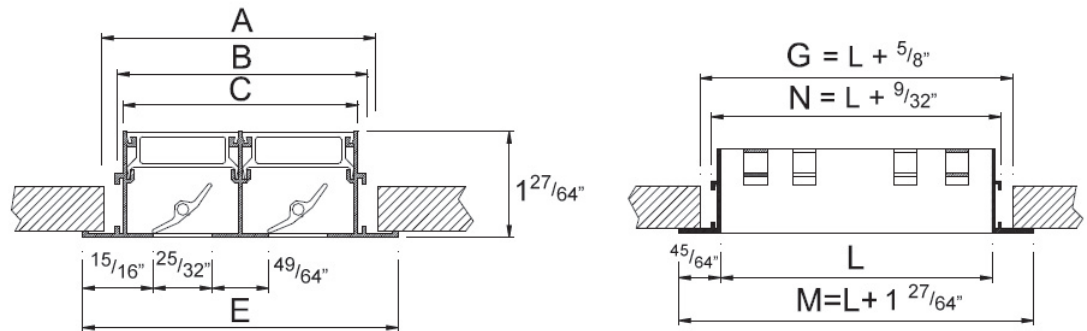
**Material** | Extruded aluminum and extruded PVC sectored deflection vanes

**Air Pattern** | Adjustable

**Ceiling Types** | Open and Closed

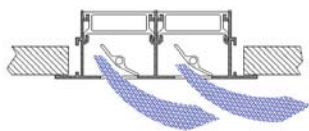


**LSD**  
by **MADEL®**

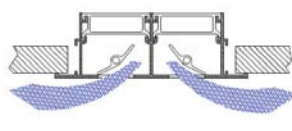


Nb Slots	E	A	B	C
1	2 43/64"	2 11/64"	1 27/32"	1 19/32"
2	4 7/32"	3 47/64"	3 25/64"	3 9/64"
3	5 49/64"	5 9/32"	4 15/16"	4 45/64"
4	7 5/16"	6 13/16"	6 31/64"	6 1/4"

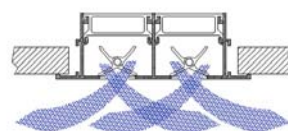
### Airflow Balancing



1 Way



2 Way

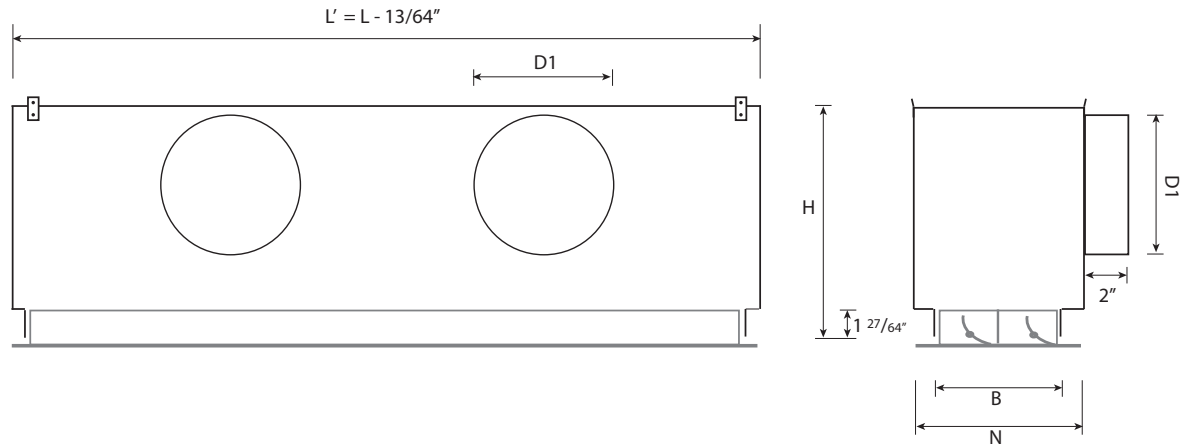


2 Way Alternate  
(Default)



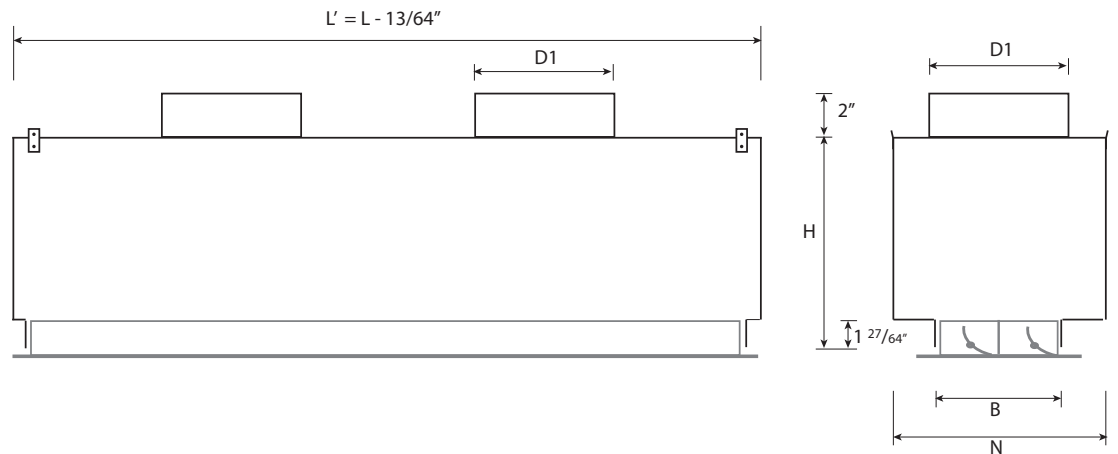
Vertical

### PLSD Plenum (Side Connection)



Nb Slots	H	B	N	D1 (L ≤ 20")	D1 (L ≤ 40")	D1 (L ≤ 48")	D1 (L ≤ 60")	D1 (L ≤ 78 <sup>47</sup> / <sub>64</sub> "
1	10 <sup>5</sup> / <sub>64</sub> "	1 <sup>27</sup> / <sub>32</sub> "	2 <sup>23</sup> / <sub>32</sub> "	1x 6"D	1x 6"D	1x 6"D	1x 6"D	2x 6"D
2	10 <sup>5</sup> / <sub>64</sub> "	3 <sup>25</sup> / <sub>64</sub> "	4 <sup>1</sup> / <sub>4</sub> "	1x 6"D	1x 6"D	1x 6"D	2x 6"D	2x 6"D
3	11 <sup>21</sup> / <sub>32</sub> "	4 <sup>15</sup> / <sub>16</sub> "	5 <sup>25</sup> / <sub>32</sub> "	1x 8"D	1x 8"D	2x 8"D	2x 8"D	2x 8"D
4	11 <sup>21</sup> / <sub>32</sub> "	6 <sup>31</sup> / <sub>64</sub> "	7 <sup>21</sup> / <sub>64</sub> "	1x 8"D	1x 8"D	2x 8"D	2x 8"D	2x 8"D

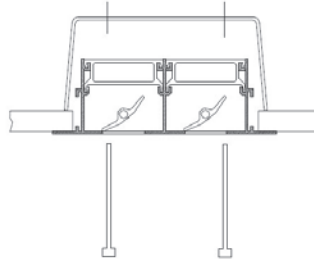
### PLSD-T Plenum (Top Connection)



Nb Slots	H	B	N	D1 (L ≤ 20")	D1 (L ≤ 40")	D1 (L ≤ 48")	D1 (L ≤ 60")	D1 (L ≤ 78 <sup>47</sup> / <sub>64</sub> "
1	8"	1 <sup>27</sup> / <sub>32</sub> "	6 <sup>7</sup> / <sub>8</sub> "	1x 6"D	1x 6"D	1x 6"D	1x 6"D	2x 6"D
2	8"	3 <sup>25</sup> / <sub>64</sub> "	6 <sup>7</sup> / <sub>8</sub> "	1x 6"D	1x 6"D	1x 6"D	2x 6"D	2x 6"D
3	10"	4 <sup>15</sup> / <sub>16</sub> "	8 <sup>7</sup> / <sub>8</sub> "	1x 8"D	1x 8"D	2x 8"D	2x 8"D	2x 8"D
4	10"	6 <sup>31</sup> / <sub>64</sub> "	8 <sup>7</sup> / <sub>8</sub> "	1x 8"D	1x 8"D	2x 8"D	2x 8"D	2x 8"D

### PM Mounting Kit

PM Mounting Kit consists of C shaped clips with long screws. Recommended for installation without plenum.

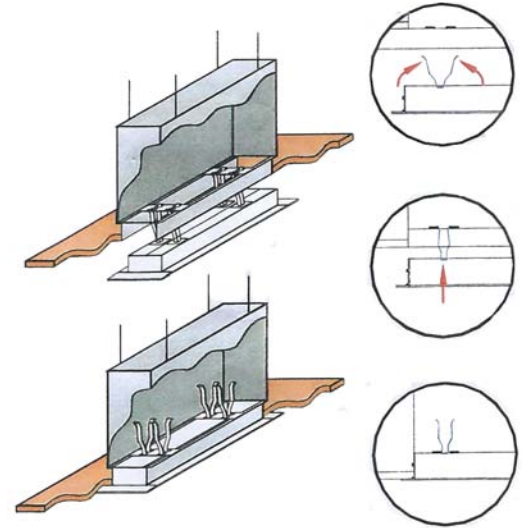


### PL Hidden Mounting System

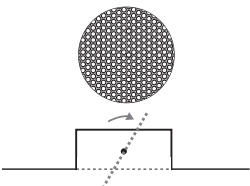
PL Hidden Mounting System consists of spring clips attached to the diffuser and special brackets attached to the plenum.

The clips have a two steps profile. The hooks must first be inserted into the brackets. The hooks secure the product in place, even when submitted to intense vibrations, making it safe for ceiling installation.

The second step only requires to push the diffuser until it lays flush with the gypsum or plenum opening. The spring pressure maintains the product in place.

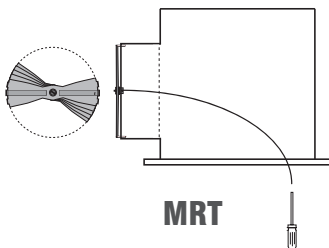


### Integrated Air Volume Dampers



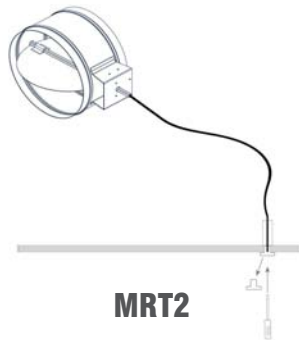
**R**

Perforated damper + air equalizer



**MRT**

Manually operated damper, cable inside the plenum, adjustment through face



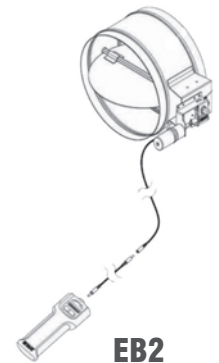
**MRT2**

Manually operated damper, cable through drywall with termination fixture



**EB**

Battery operated electro-balance damper with remote control, cable through face



**EB2**

Battery operated electro-balance damper with remote control, cable through drywall with termination fixture

Select Model		
✓	<b>LSD-100</b>	Linear Sectored Slot Diffuser, 4" long sectors

End Borders		
	<b>AR</b>	Two End Borders
	<b>ARI</b>	Left End Border Only
	<b>ARD</b>	Right End Border Only
	<b>INT</b>	No End Border (Central Sections)

Mounting		
	<b>PL</b>	Concealed Spring Clips (requires PLSD)
	<b>PM</b>	Concealed U Clip
	<b>T</b>	Visible Screws

Sectored Vanes Color		
	<b>-AN</b>	Black
	<b>-AB</b>	White

Finish		
	<b>/M9016</b>	Powder Coated White RAL 9016 (standard)
	<b>/AA</b>	Anodized in matt silver with black vanes
	<b>/RAL xxxx</b>	Other (specify) :

Plenum		
	<b>PLSD</b>	Side connection & hidden spring clips attachment system
	<b>PLSD-T</b>	Top connection & hidden spring clips attachment system

Neck-Installed Air Volume Damper		
	<b>R</b>	Perforated air volume damper/equalizer
	<b>MRT</b>	Manually operated, cable through face
	<b>MRT2</b>	Manually operated, drywall termination fixture
	<b>EB</b>	Electro-balanced, battery powered, cable through face
	<b>EB2</b>	Electro-balanced, battery powered, termination fixture

Cable Length (MRT2 or EB2)		

Insulation		
	<b>AL</b>	1/2" Interior Accoustical Liner
	<b>R6</b>	2" Exterior R6 Thermal Insulation

Air Equalizing Grid		
	<b>EQ</b>	Perforated plate / air equalizer

Listed L (inches)		

Number of Slots		
	<b>1</b>	1 Slot
	<b>2</b>	2 Slots
	<b>3</b>	3 Slots
	<b>4</b>	4 Slots

Airflow Balancing (Optional)		
	<b>W1</b>	1 Way
	<b>W2</b>	2 Way
	<b>W2A</b>	2 Way Alternate (Default)
	<b>V</b>	Vertical

<b>Project:</b>	
<b>Engineer:</b>	
<b>Architect:</b>	
<b>Contractor:</b>	