

### DCG-ACTIF Series Thermally Adjustable Aluminum Round Diffusers

**Material** | Powder coated heavy gauge spun aluminum.

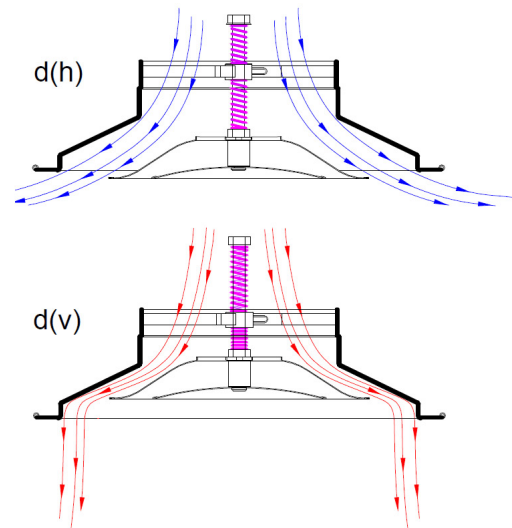
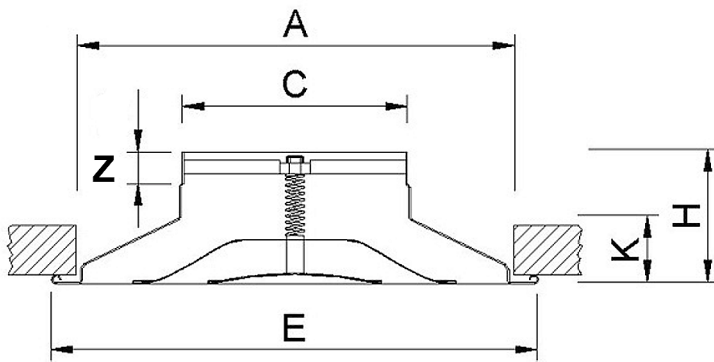
**Air Pattern** | 360° diffusion with horizontal to vertical flow adjustment, autonomously adjusted by means of a thermodynamic spring.

**Ceiling Types** | Open and Closed.



**DCG-ACTIF**  
by MADEL®

actif



Select Model								
✓	Model	Duct	A	C	E	H	K	Z
	<b>DCG-ACTIF 160</b>	6	11 59/64	5 3/4	13 5/16	4 15/16	1 47/64	1
	<b>DCG-ACTIF 200</b>	8	15 5/32	7 3/4	16 47/64	4 17/32	2 9/32	1
	<b>DCG-ACTIF 250</b>	10	18 17/64	9 3/4	19 3/8	4 31/64	2 1/4	1
	<b>DCG-ACTIF 315</b>	12	22 13/64	11 3/4	23 17/64	6 19/32	3 5/32	1

All dimensions in inches (in)

Select Finish	
<input type="checkbox"/>	Powder Coated White
<input type="checkbox"/>	Other (specify) :

<b>Project:</b>	
<b>Engineer:</b>	
<b>Architect:</b>	
<b>Contractor:</b>	