

### AX6-MO Series Actuator-Controlled Adjustable Aluminum Round Swirl Diffusers

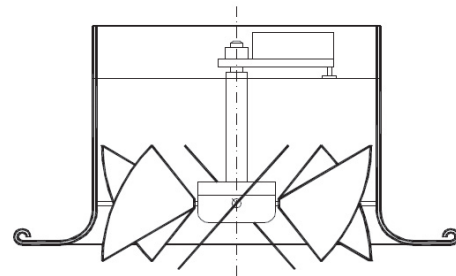
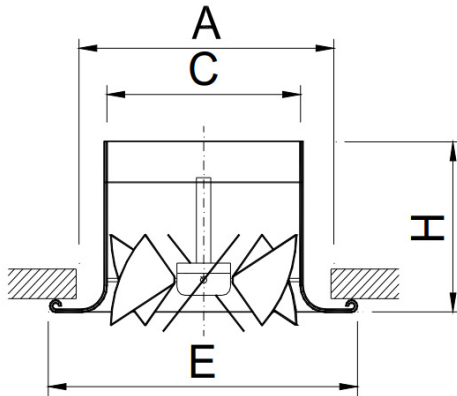
**Material** | Powder coated heavy gauge spun aluminum.

**Air Pattern** | 360° diffusion with horizontal swirl to downward flow adjustment, adjusted by means of an actuator.

**Ceiling Types** | Open and Closed.



**AX6-MO**  
by MADEL®

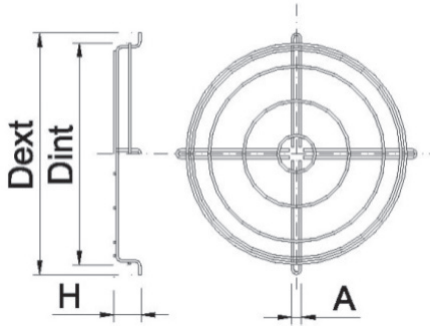


Select Model						
✓	Model	Duct	A	C	E	H
	<b>AX6-MO 10</b>	10	11 13/16	9 3/4	14 11/64	7 61/64
	<b>AX6-MO 12</b>	12.5	15 3/4	12 21/64	18 17/64	8 55/64
	<b>AX6-MO 16</b>	16	19 11/16	15 25/32	20 3/64	9 27/32
	<b>AX6-MO 20</b>	20	24 13/32	19 9/16	23 15/64	12 3/64
	<b>AX6-MO 25</b>	25	30 45/64	24 11/16	34 1/4	13 25/32

All dimensions in inches

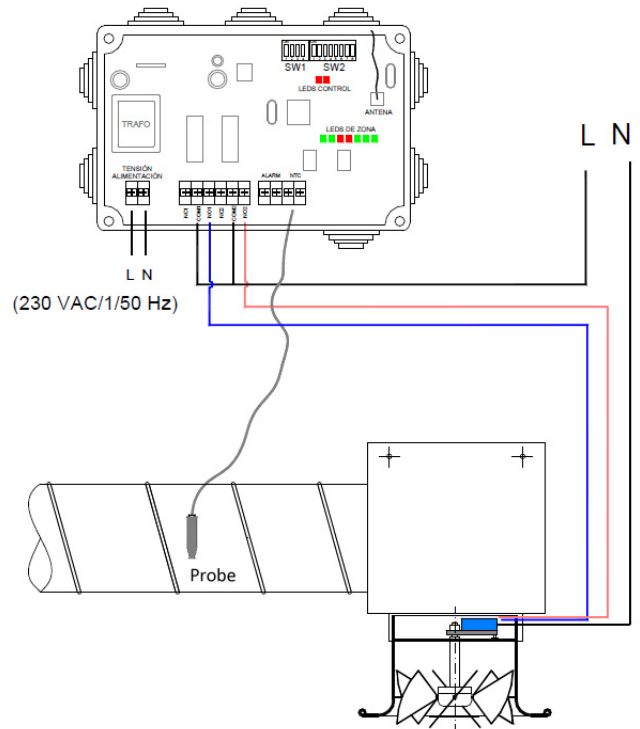
Select Actuator	
<b>NM-24v</b>	Belimo On/Off actuator, 24 V
<b>NM-230v</b>	Belimo On/Off actuator, 230 V
<b>NM24-SR</b>	Belimo proportional actuator, 24 V
<b>GLB131.1E -24v</b>	Siemens On/Off actuator, 24 V
<b>GLB331.1E -230v</b>	Siemens On/Off actuator, 230 V
<b>GLB161.1E -24v</b>	Siemens proportional actuator, 24 V

### CH6



Duct Diameter	Dext	Dint	A	H
10"	13 25/32"	11 13/16"	35/64"	1 37/64"
12.5"	17 23/32"	15 3/4"	35/64"	1 37/64"
16"	21 21/32"	19 11/16"	43/64"	1 31/32"
20"	25 25/32"	23 5/8"	43/64"	3 5/32"
25"	33 55/64"	31 7/64"	25/32"	3 35/64"

### Diftronic®



Options	
<b>CH6</b>	Security grille for sports facilities
<b>DIFTRONIC</b>	Automatic control of the air supply angle

Select Finish
Powder Coated White (RAL 9016)
Mill Finish
Other RAL (specify) :

<b>Project:</b>	
<b>Engineer:</b>	
<b>Architect:</b>	
<b>Contractor:</b>	