

### AX6-MA Series Manually Adjustable Blades Round Swirl Diffusers

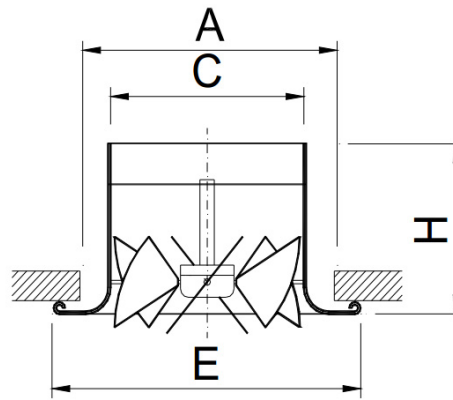
**Material** | Powder coated heavy gauge spun aluminum.

**Air Pattern** | 360° diffusion with horizontal swirl to downward flow, manual synchronous adjustment of the blades.

**Ceiling Types** | Open and Closed.



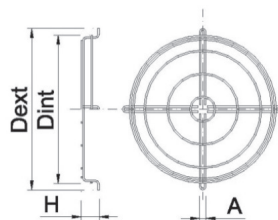
**AX6-MA**  
by MADEL®



Select Model						
✓	Model	Duct	A	C	E	H
	<b>AX6-MA 250</b>	250	300	248	360	202
	<b>AX6-MA 315</b>	315	400	313	464	225
	<b>AX6-MA 400</b>	400	500	401	560	250
	<b>AX6-MA 500</b>	450	620	497	690	306
	<b>AX6-MA 630</b>	500	780	627	870	350

All dimensions in millimeters (mm)

Options	
<b>CH6</b>	Security grille for sports facilities



Select Finish	
	Powder Coated White (RAL 9016)
	Mill Finish
	Other RAL (specify) :

<b>Project:</b>	
<b>Engineer:</b>	
<b>Architect:</b>	
<b>Contractor:</b>	