

AX6-MA Series Manually Adjustable Blades Round Swirl Diffusers

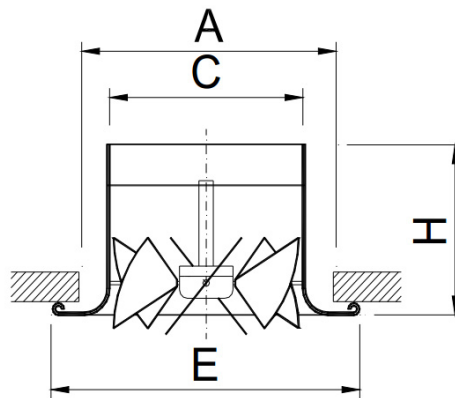
Material | Powder coated heavy gauge spun aluminum.

Air Pattern | 360° diffusion with horizontal swirl to downward flow, manual synchronous adjustment of the blades.

Ceiling Types | Open and Closed.



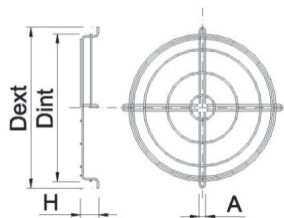
AX6-MA
by MADEL®



Select Model						
✓	Model	Duct	A	C	E	H
	AX6-MA 10	10	11 13/16	9 3/4	14 11/64	7 61/64
	AX6-MA 12	12.5	15 3/4	12 21/64	18 17/64	8 55/64
	AX6-MA 16	16	19 11/16	15 25/32	20 3/64	9 27/32
	AX6-MA 20	20	24 13/32	19 9/16	27 11/64	12 3/64
	AX6-MA 25	25	30 45/64	24 11/16	34 1/4	13 25/32

All dimensions in inches (in)

Options	
CH6	Security grille for sports facilities



Select Finish	
<input type="checkbox"/>	Powder Coated White (RAL 9016)
<input type="checkbox"/>	Mill Finish
<input type="checkbox"/>	Other RAL (specify) :

Project:	
Engineer:	
Architect:	
Contractor:	