

### AX6-ACTIF Series Thermally Adjustable Aluminum Round Swirl Diffusers

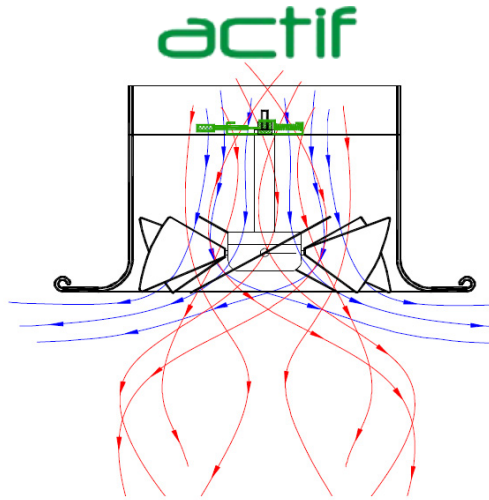
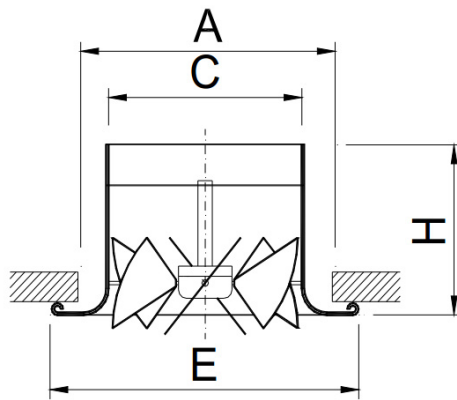
**Material** | Powder coated heavy gauge spun aluminum.

**Air Pattern** | 360° diffusion with horitonztal swirl to downward flow adjustment, autonomously thermally adjusted by means of a thermodynamic piston.

**Ceiling Types** | Open and Closed.



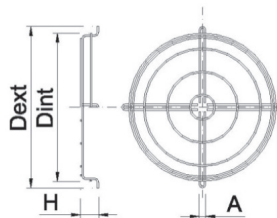
**AX6-ACTIF**  
by MADEL®



Select Model						
✓	Model	Duct	A	C	E	H
	<b>AX6-ACTIF 10</b>	10	11 13/16	9 3/4	14 11/64	7 61/64
	<b>AX6-ACTIF 12</b>	12.5	15 3/4	12 21/64	18 17/64	8 55/64
	<b>AX6-ACTIF 16</b>	16	19 11/16	15 25/32	20 3/64	9 27/32
	<b>AX6-ACTIF 20</b>	20	24 13/32	19 9/16	23 15/64	12 3/64

All dimensions in inches

Options	
<b>CH6</b>	Security grille for sports facilities



Select Finish	
	Powder Coated White (RAL 9016)
	Mill Finish
	Other RAL (specify) :

<b>Project:</b>	
<b>Engineer:</b>	
<b>Architect:</b>	
<b>Contractor:</b>	